

VICINITY GREENWALL

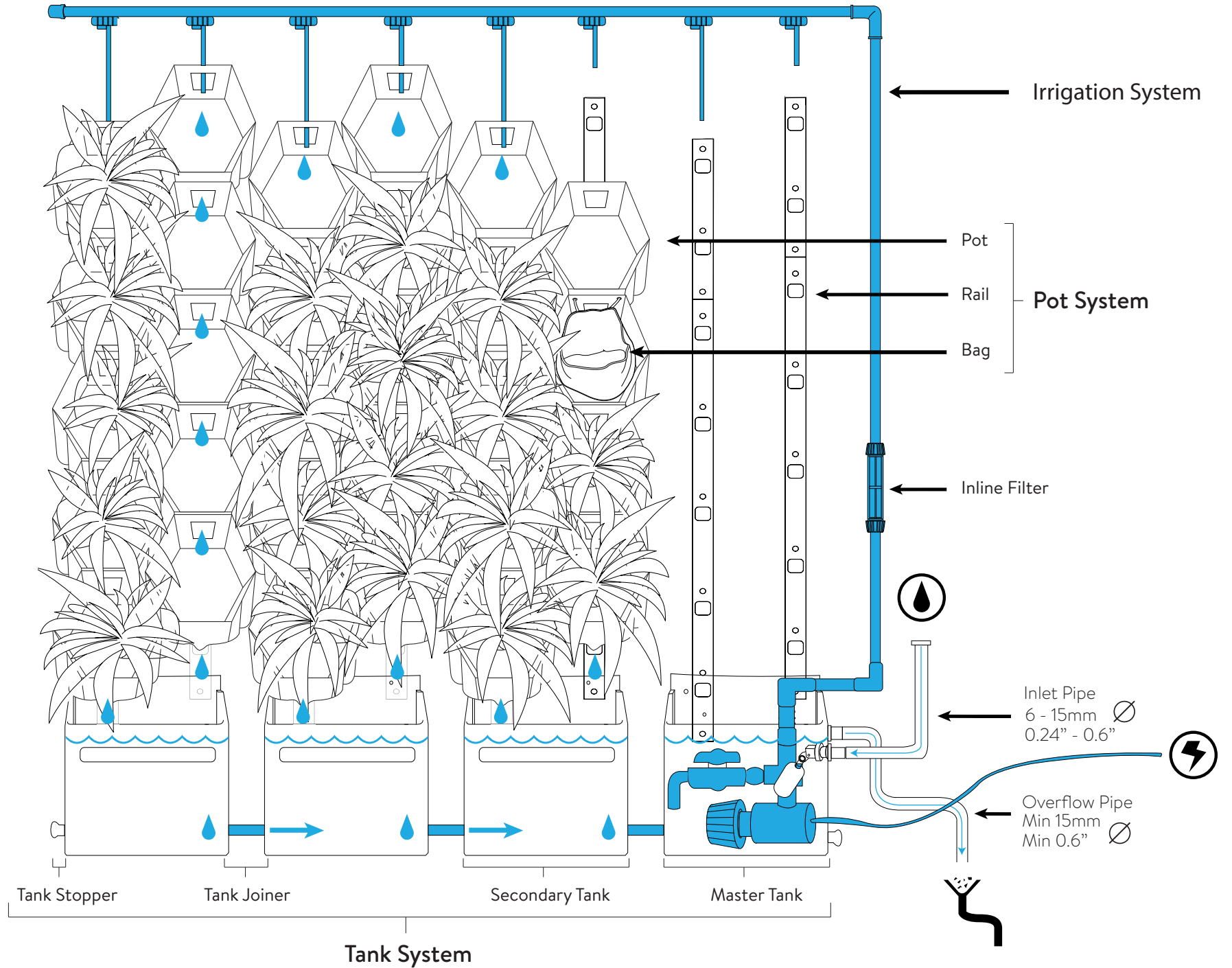


VICINITY

Installation Guidelines

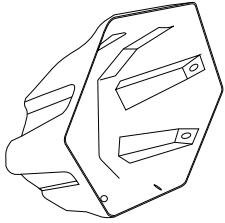


System Hardware Overview

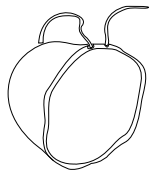


Components List

Pot System



Hex Pot

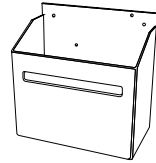


Planter Bag

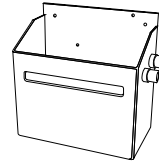


Aluminium
5 Pot Rail

Tank System



Secondary Tank



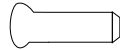
Master Tank



Grommets

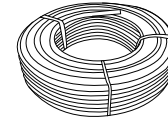


Tank Connector

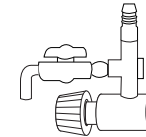


Stopper

Irrigation System



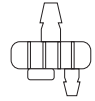
Irrigation Piping



Pump



Pipe Clips



4 Lph / 1Gph
Dripper



End Cap



Hose Connector



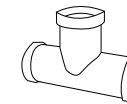
Dripper
Hole Punch



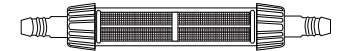
Dripper Extension
Pipe



Elbow Pipe
Connector

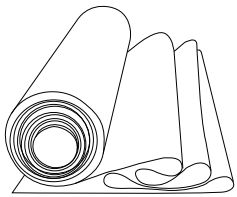


T - Connector

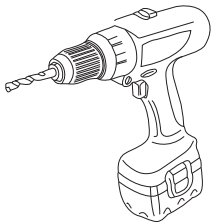


Inline Filter

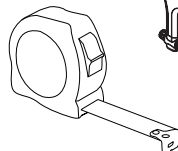
Equipment Required: (Not Provided)



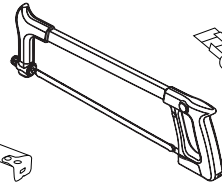
Drop Sheet



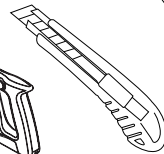
Drill



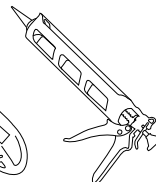
Tape Measure



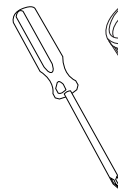
Hack Saw



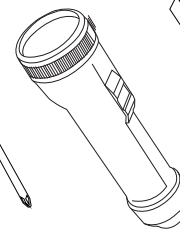
Box Cutter



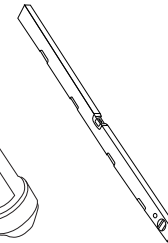
Silicone



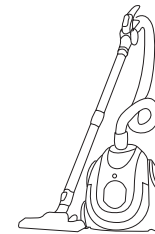
Star
Screwdriver



Flashlight



Spirit
Level



Vacuum
Cleaner

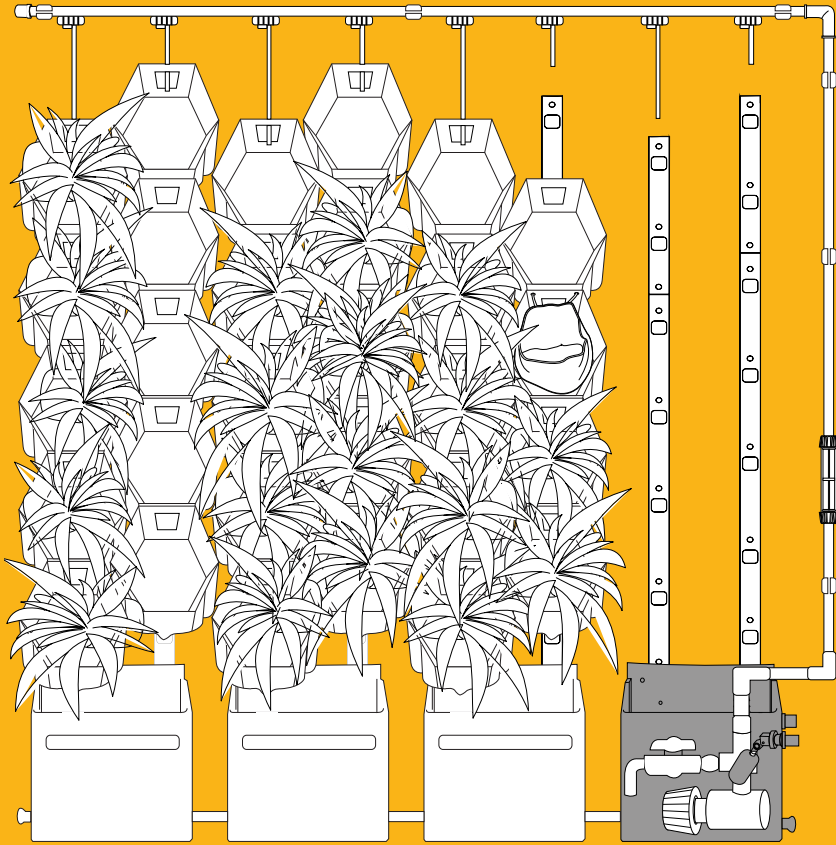


Soapy
Water



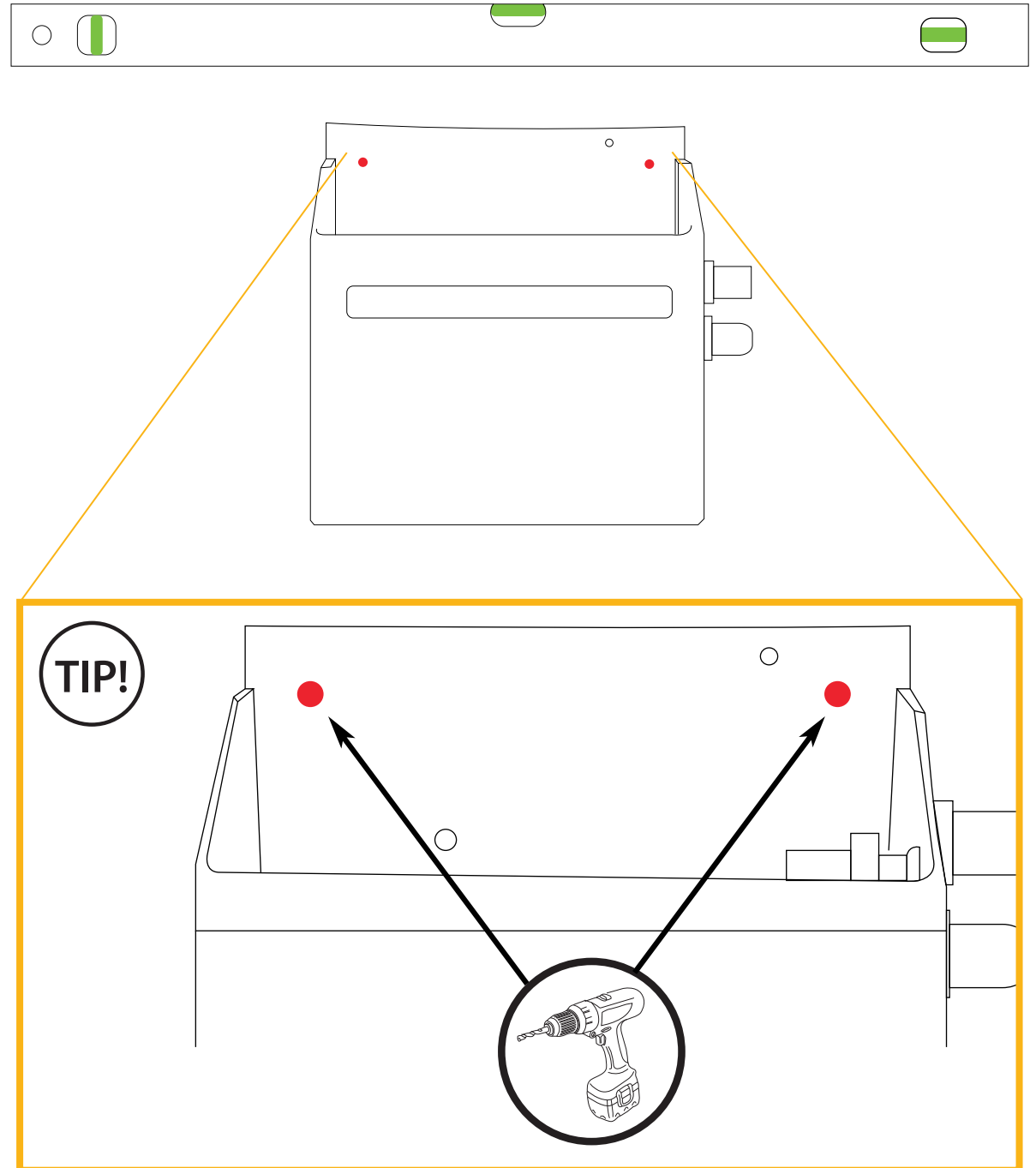
Masking
Tape

Step 1: Mounting master tank

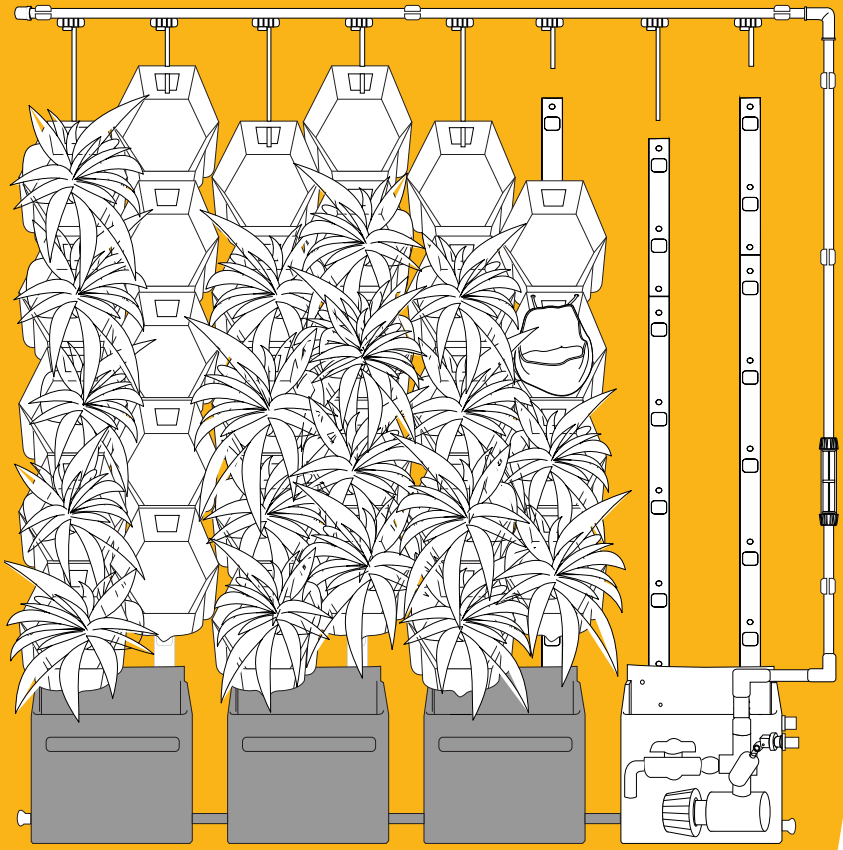


Process Comments

Install master tank level in bottom right corner of the wall.

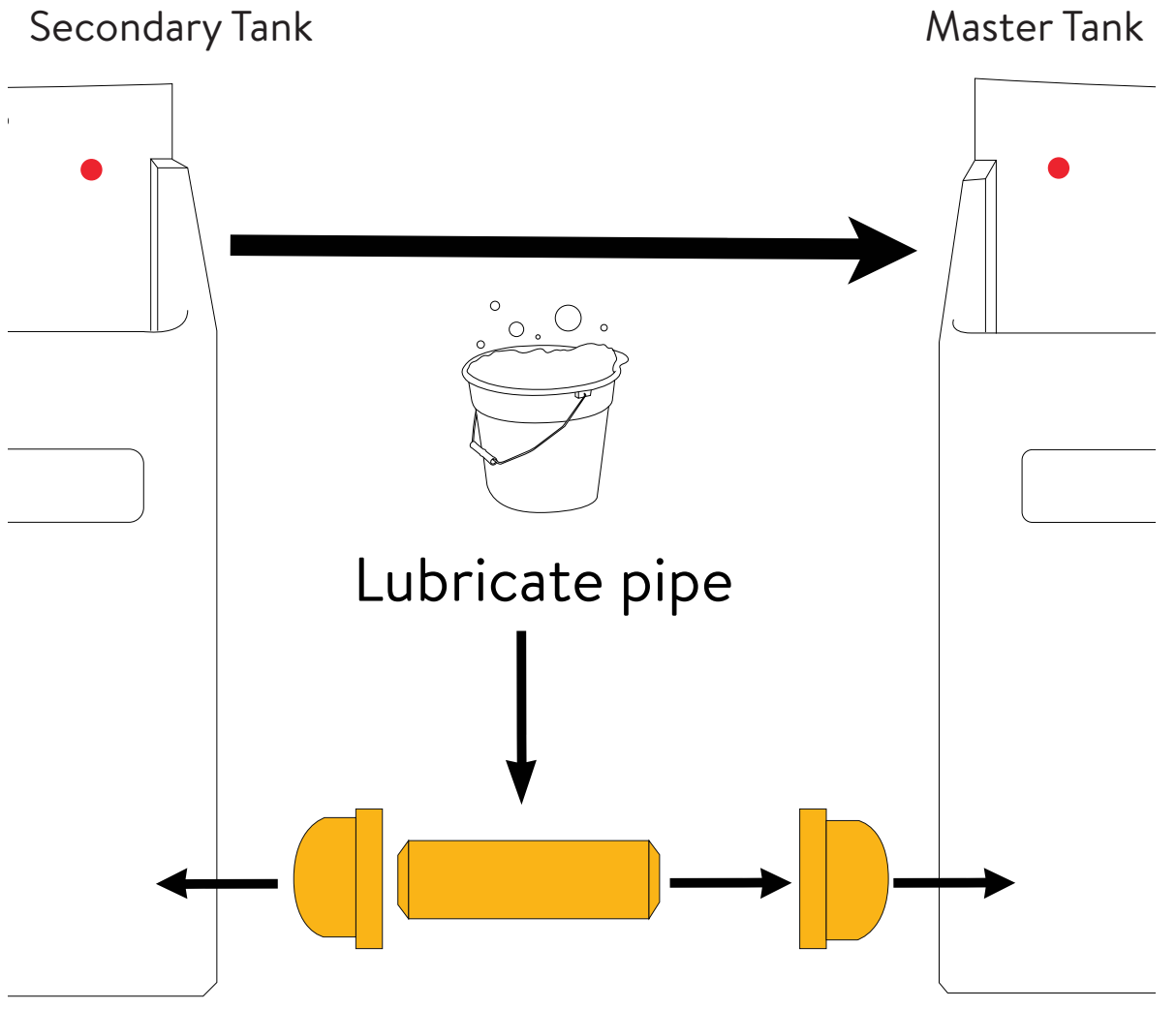


Step 2: Joining Tanks

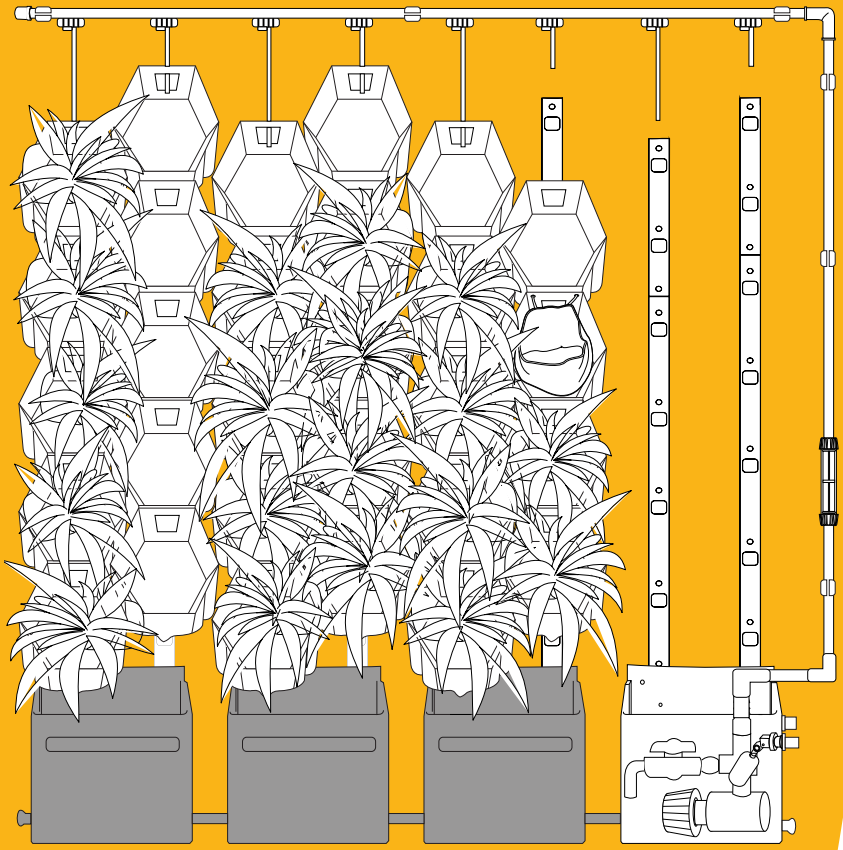


Process Comments

Insert grommets and push through connector pipe to join tanks.

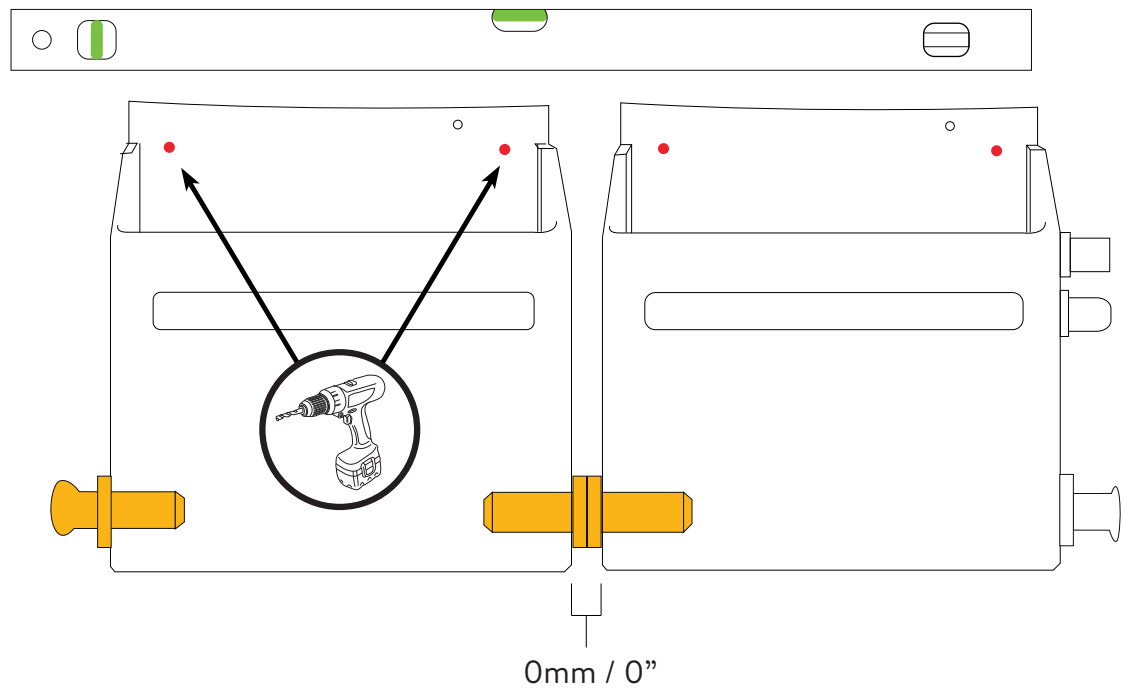
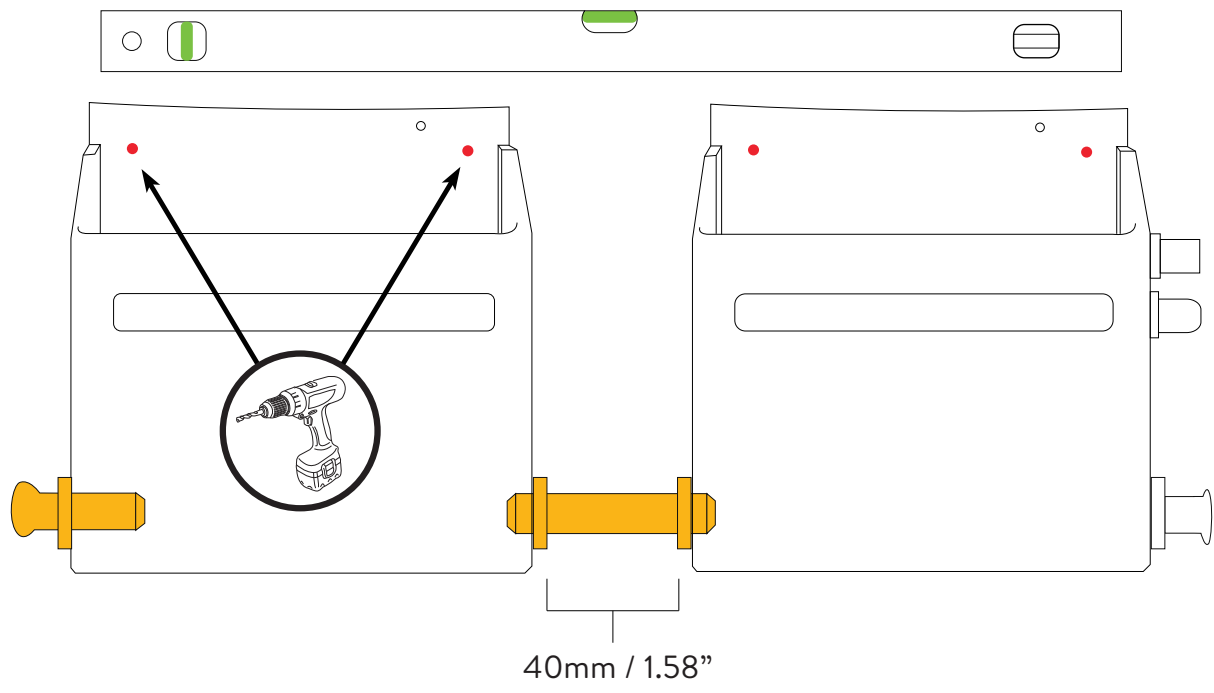


Step 3: Mounting Secondary Tank

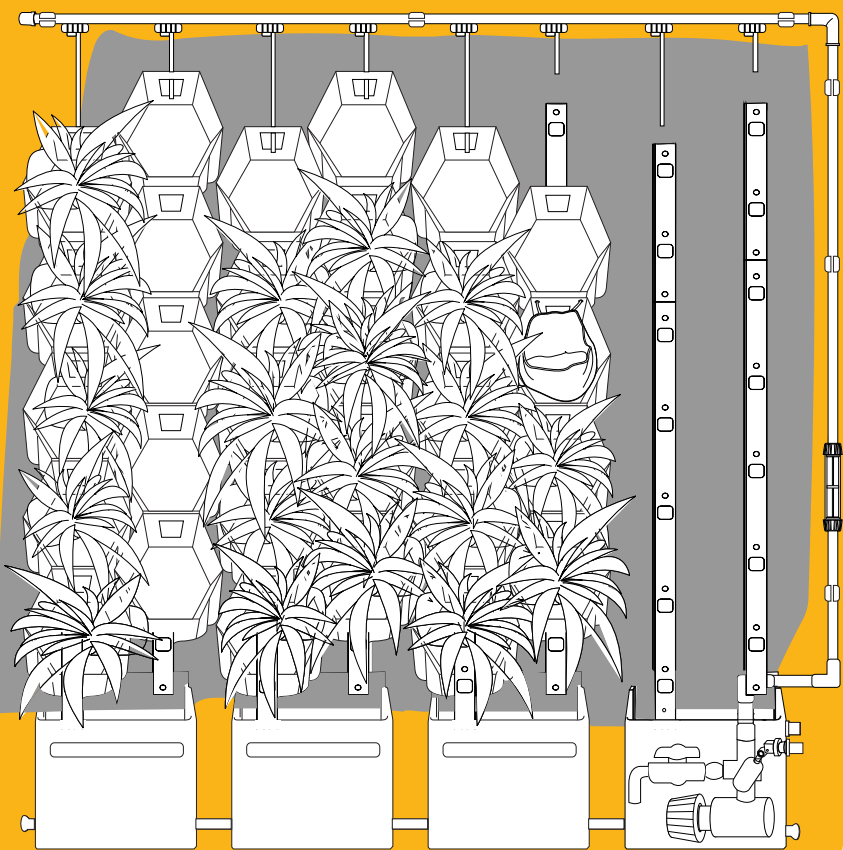


Process Comments

Set spacing between tanks between 0-40mm / 0"- 1.58" to adjust the width of the system. Install tanks level. Insert stopper on last tank.

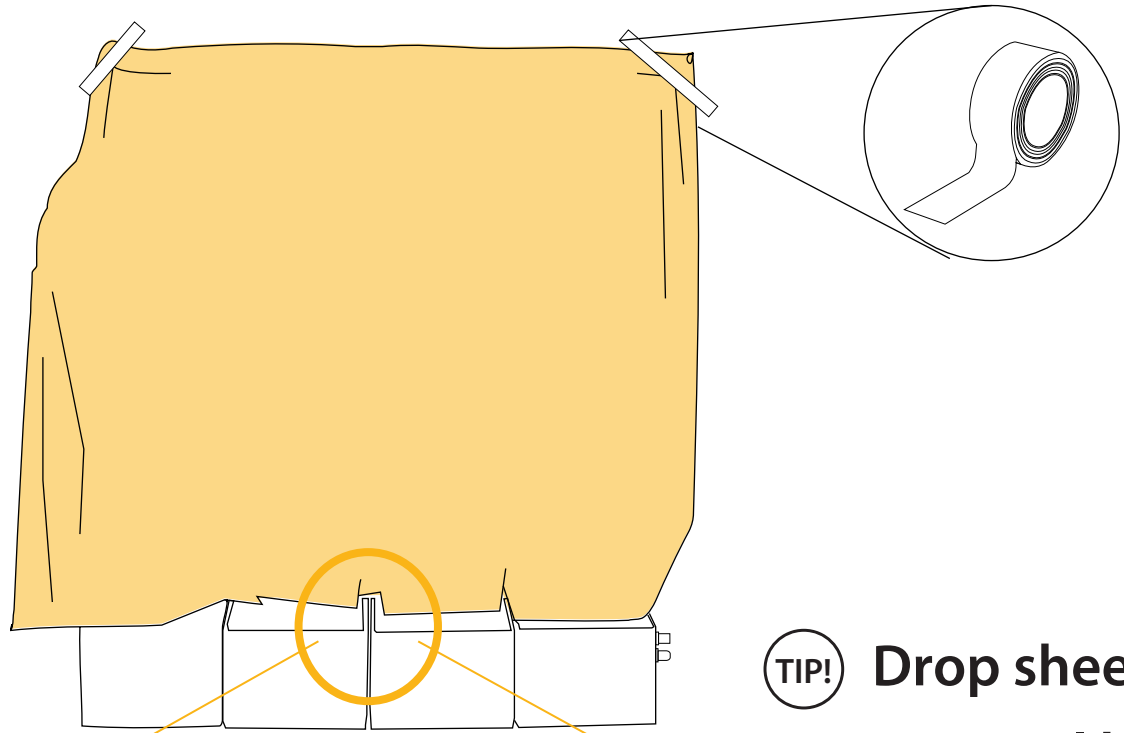


Step 4: Install Drop Sheet (optional)

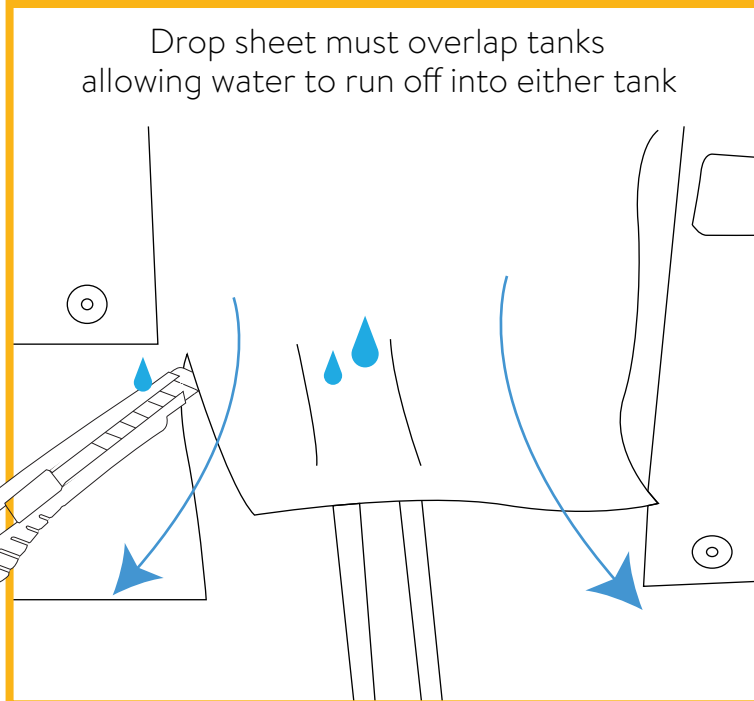


Process Comments

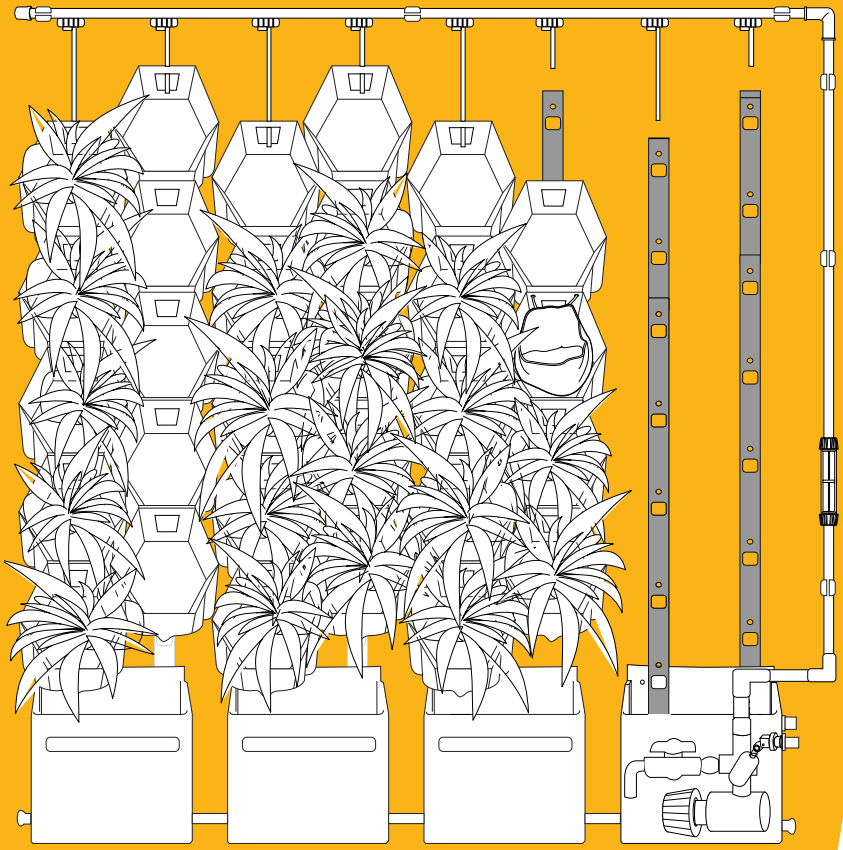
The drop sheet redirects water that escapes the pots due to installation or maintenance errors.



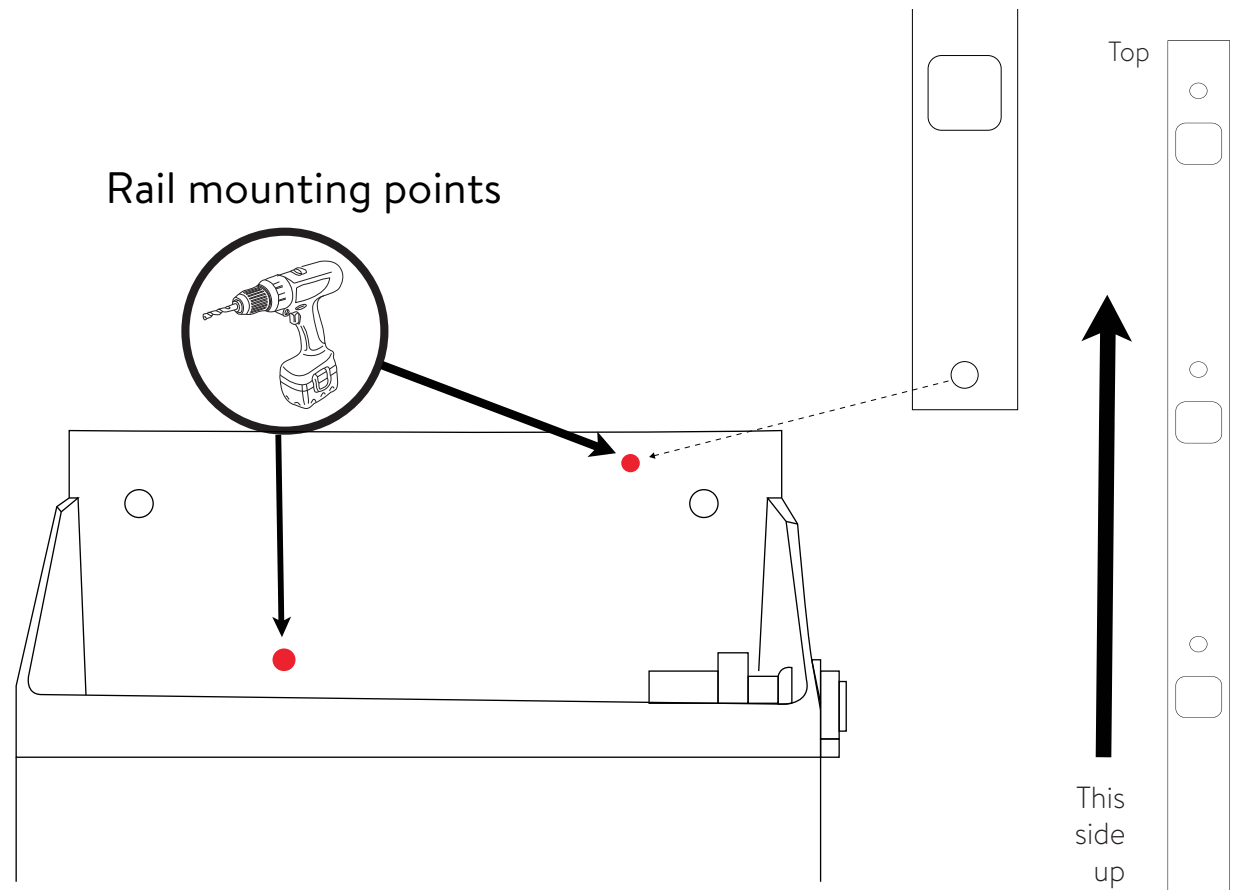
TIP! Drop sheet is optional but recommended for indoor installations.



Step 5: Install Rails to Tanks

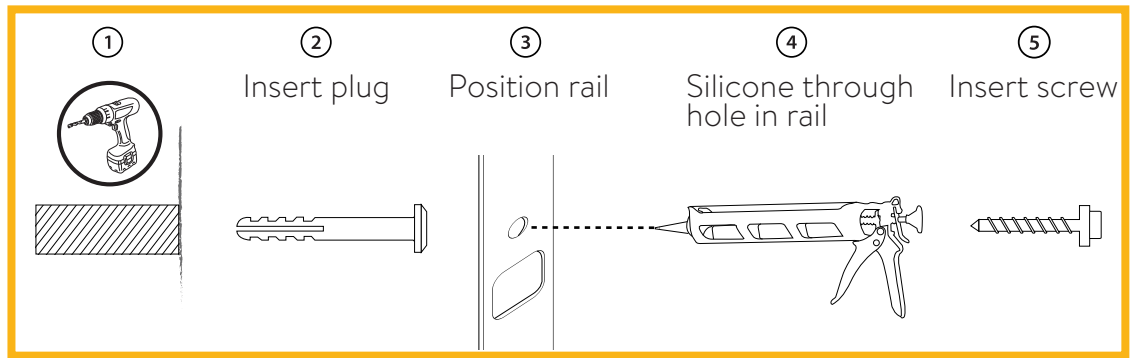


Rail mounting points



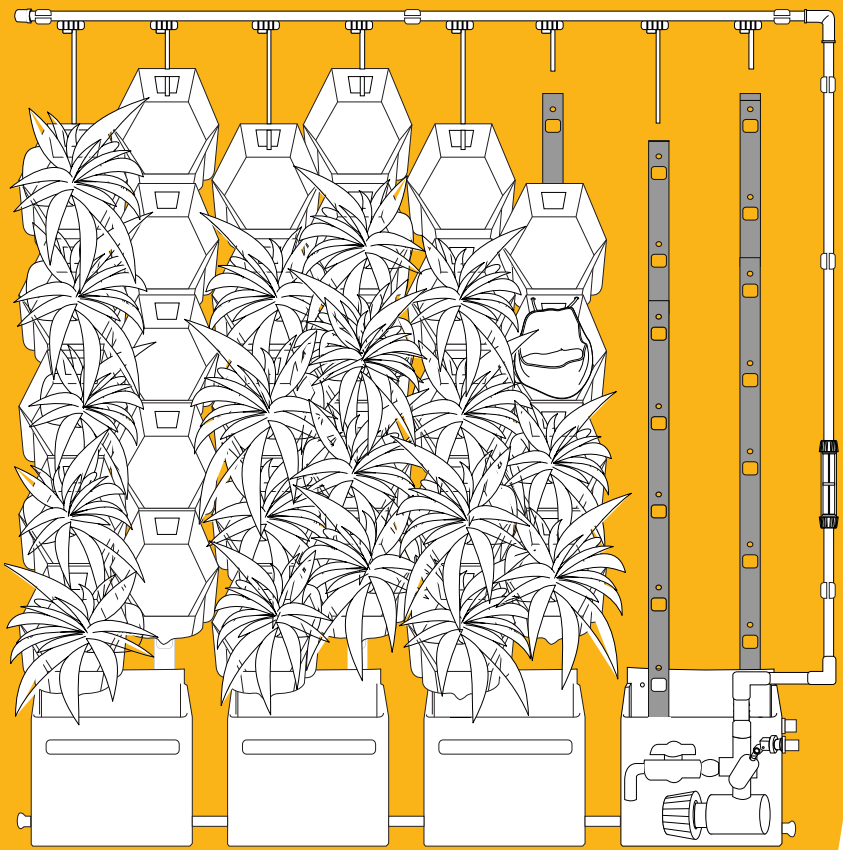
Process Comments

Use pilot holes provided on tanks to install the bottom screw on each rail.



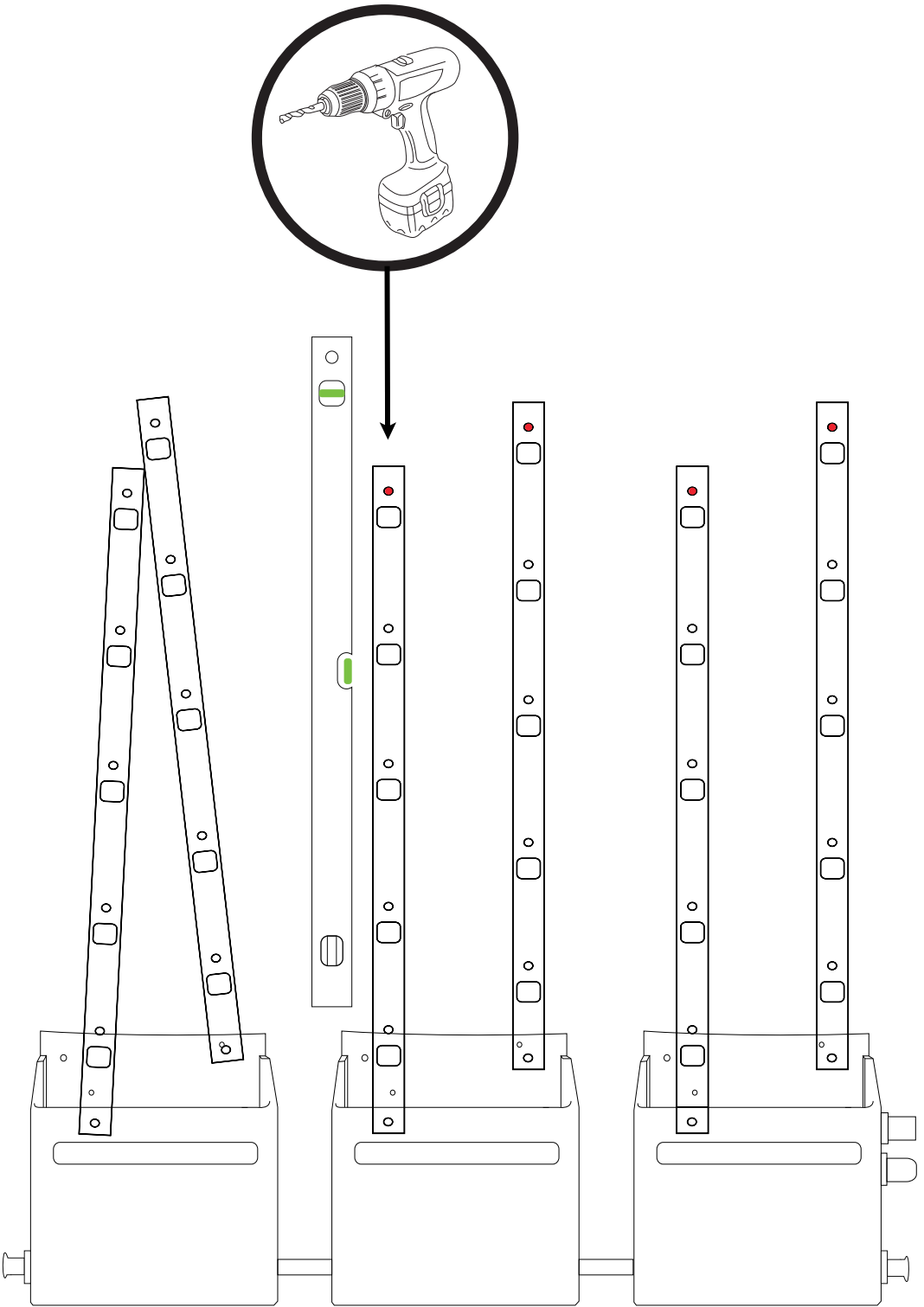
Bottom

Step 6: Level Rails and Secure

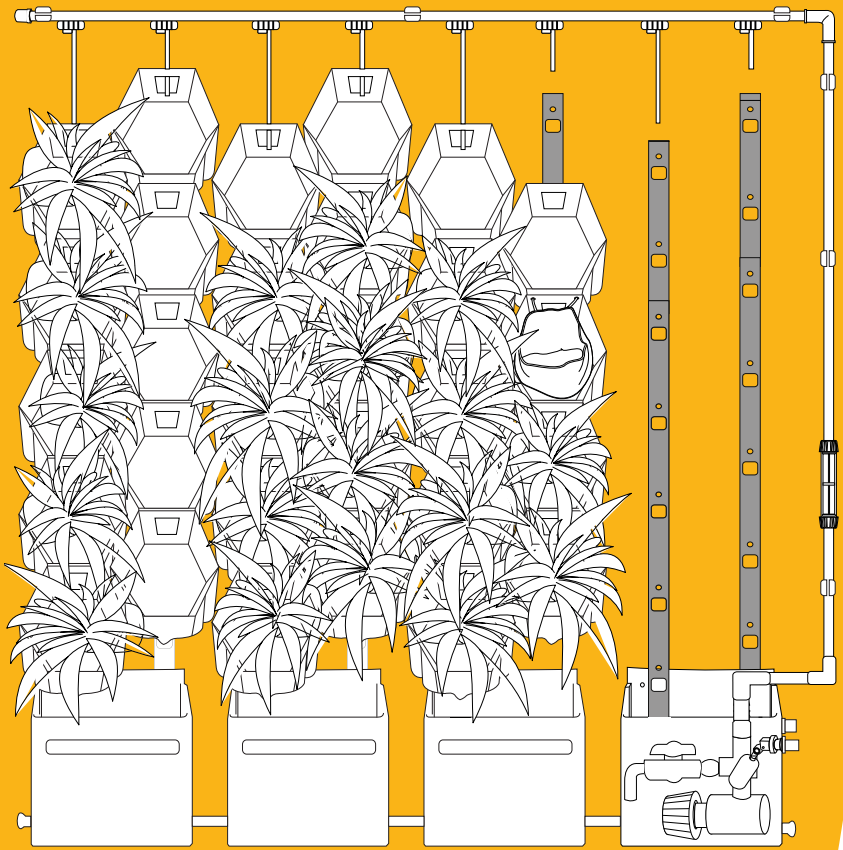


Process Comments

Level rail and install top screw.



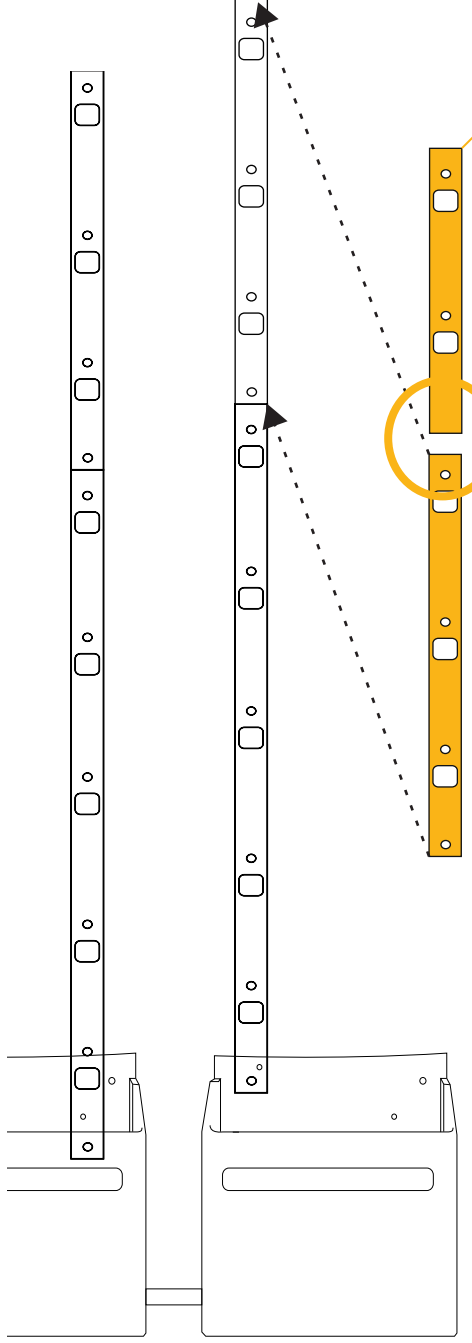
Step 7: Stack and Cut Rails



Process Comments

Cut rail on notch provided to fit desired height.

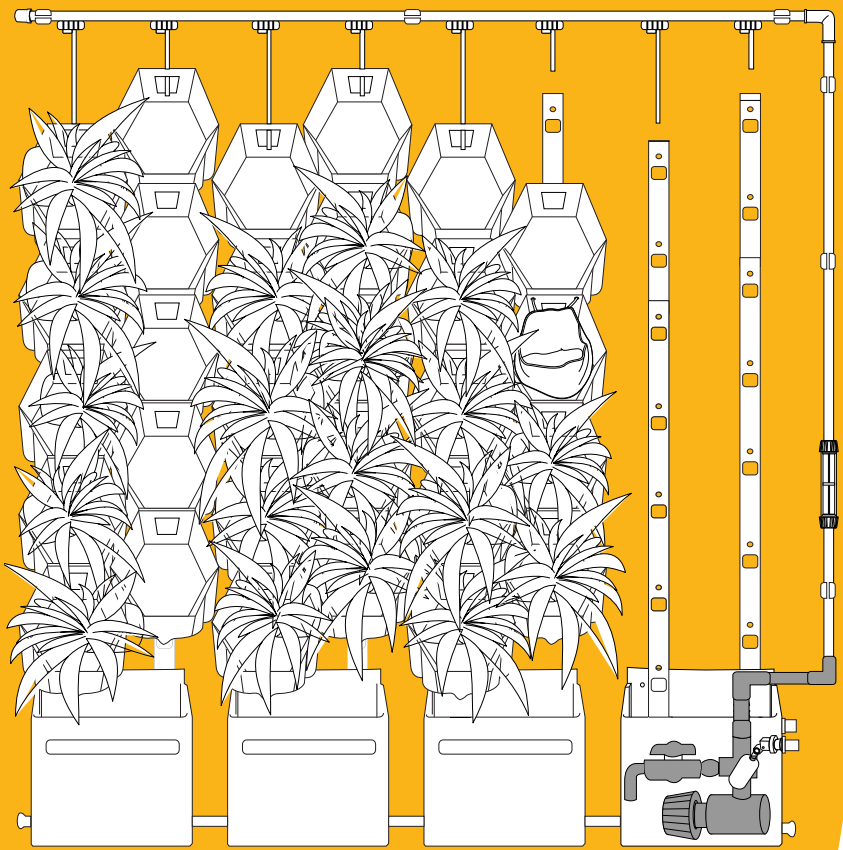
Desired Height



TIP! Retain off-cuts for use at the end of the installation.

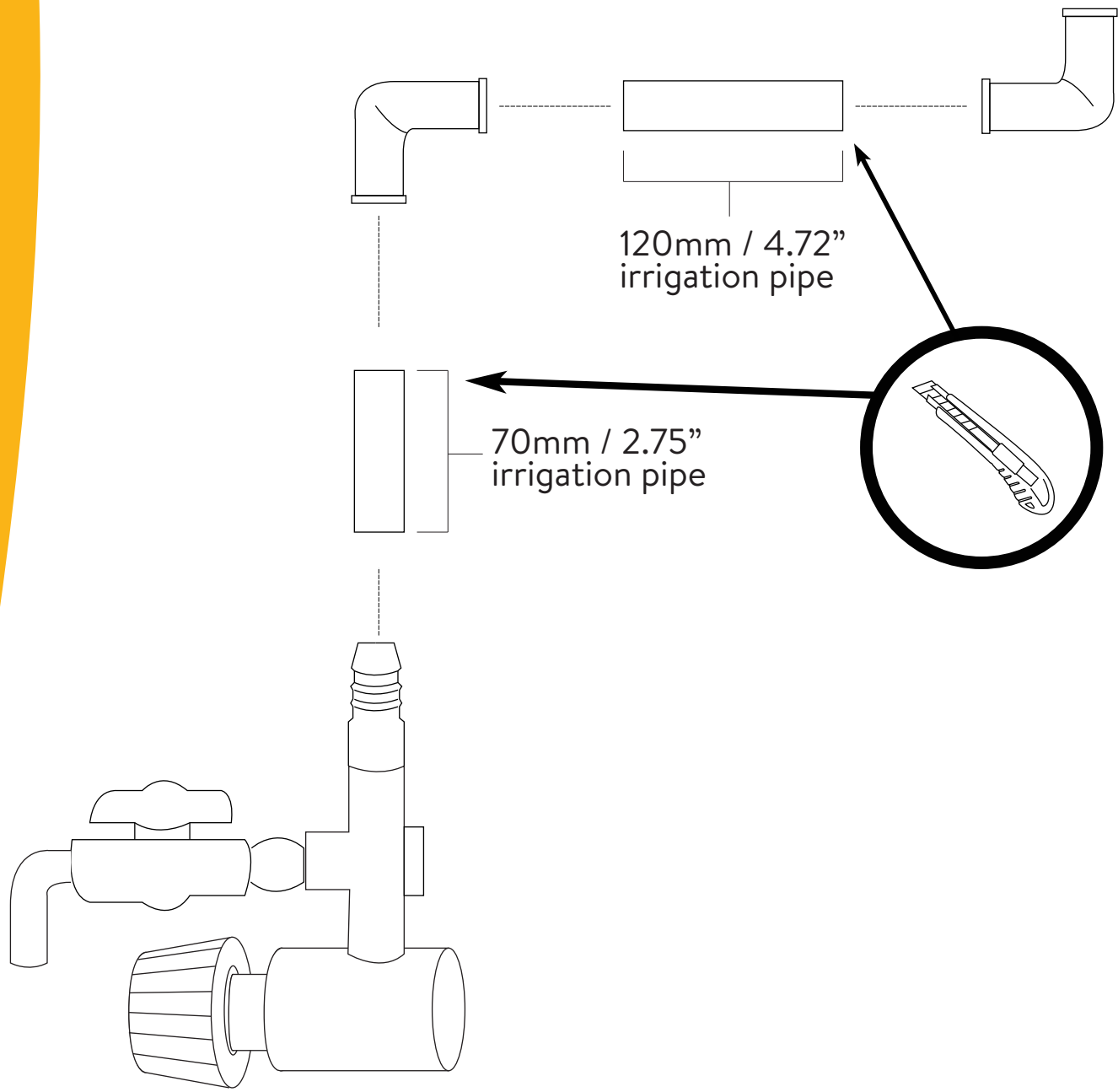
TIP!

Step 8: Pump Assembly

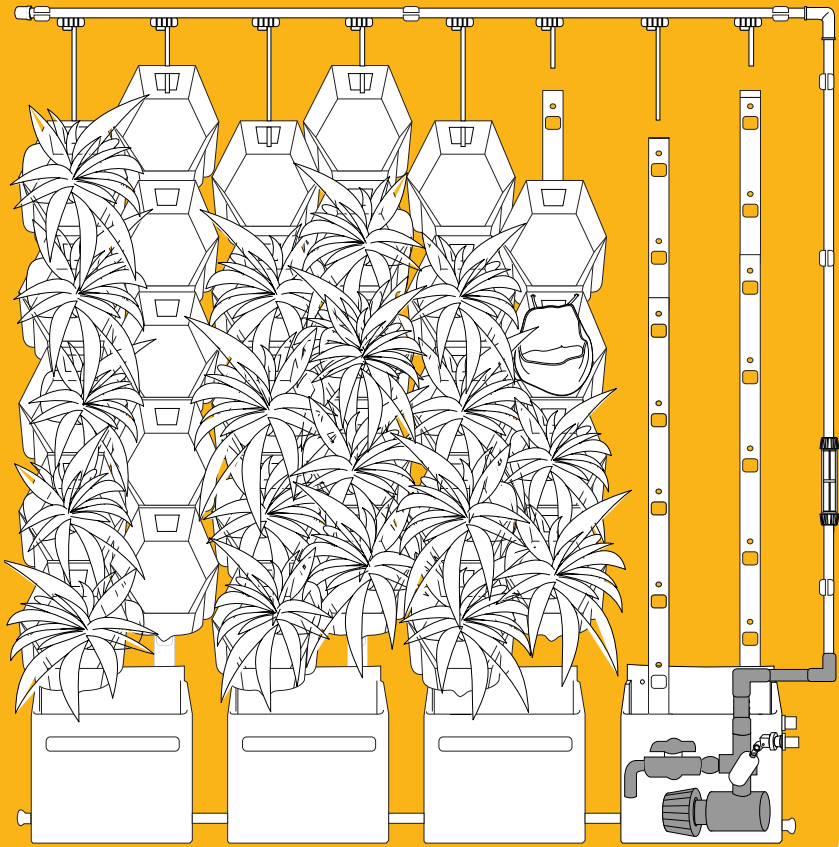


Process Comments

Attach first section of irrigation pipe to pump as shown.

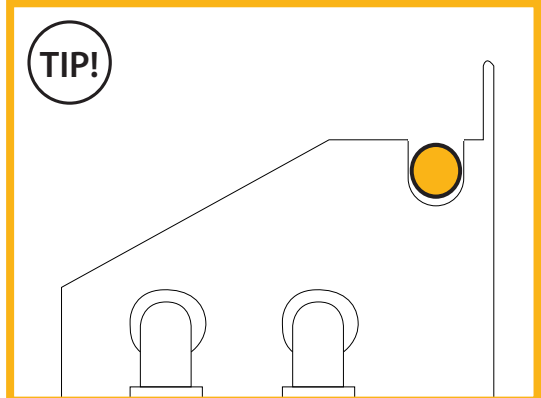
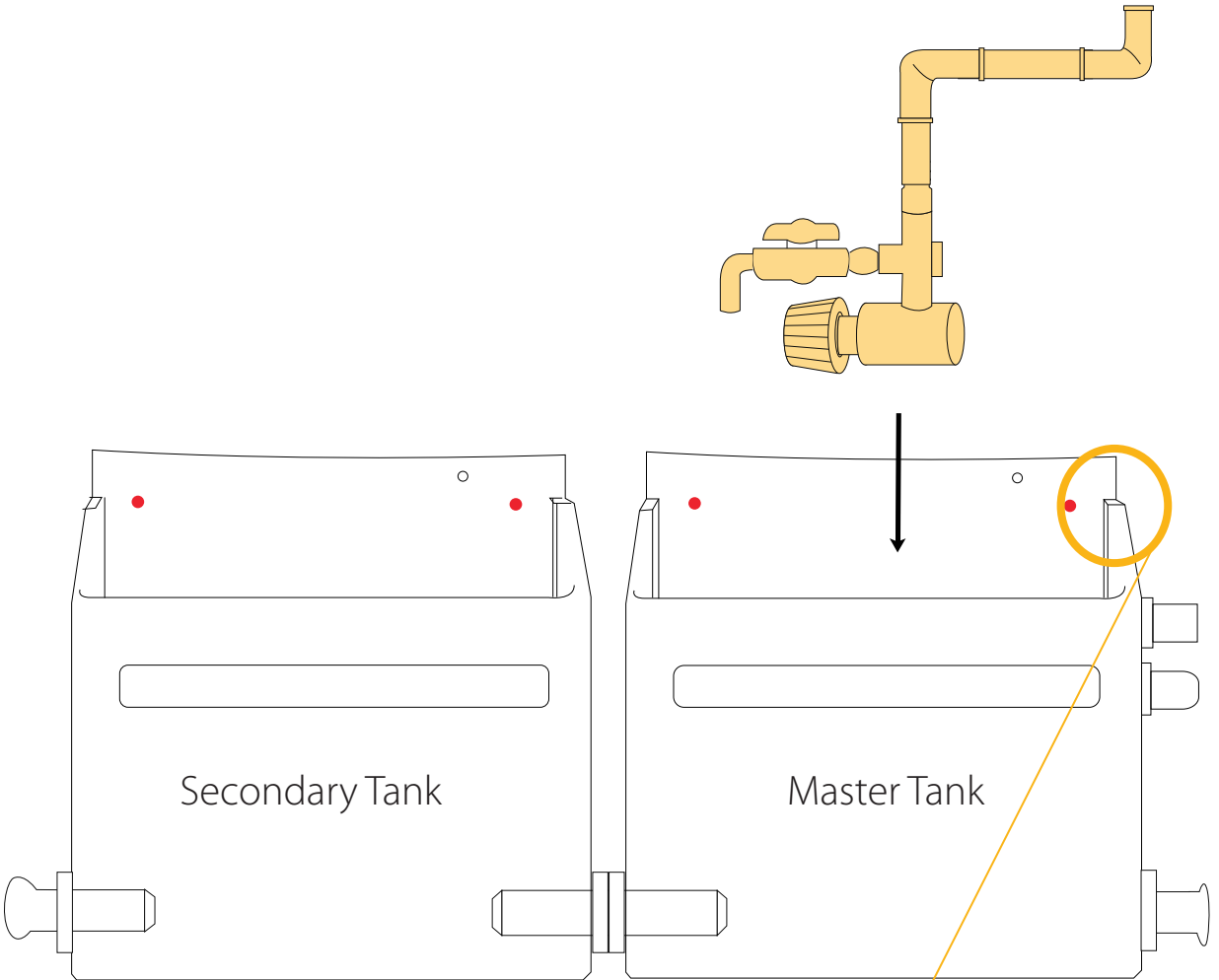


Step 9: Pump Installation

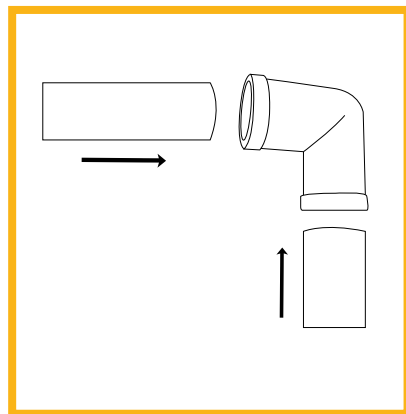
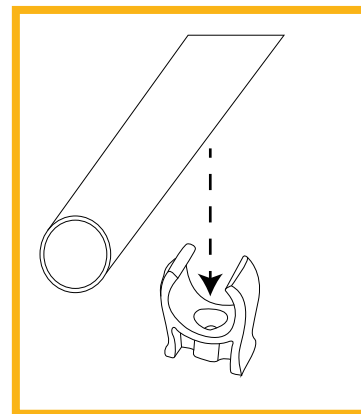
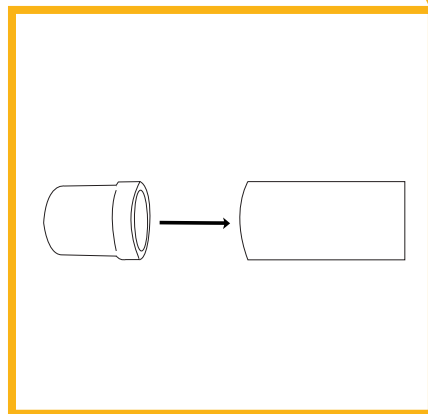
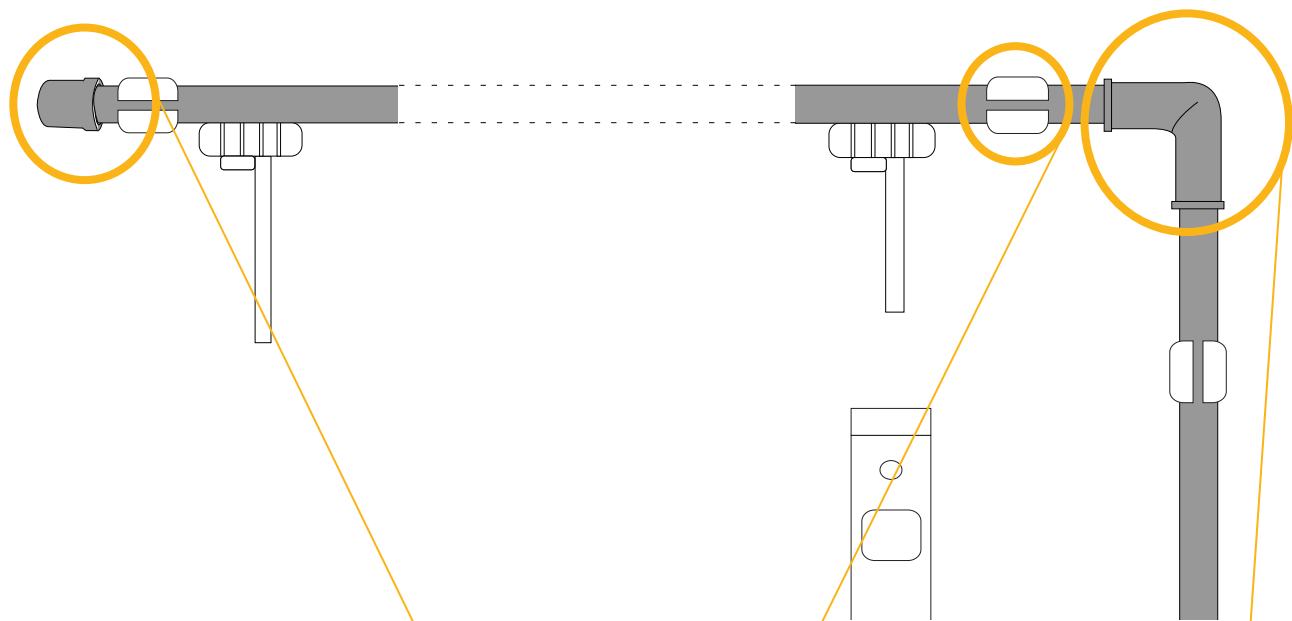
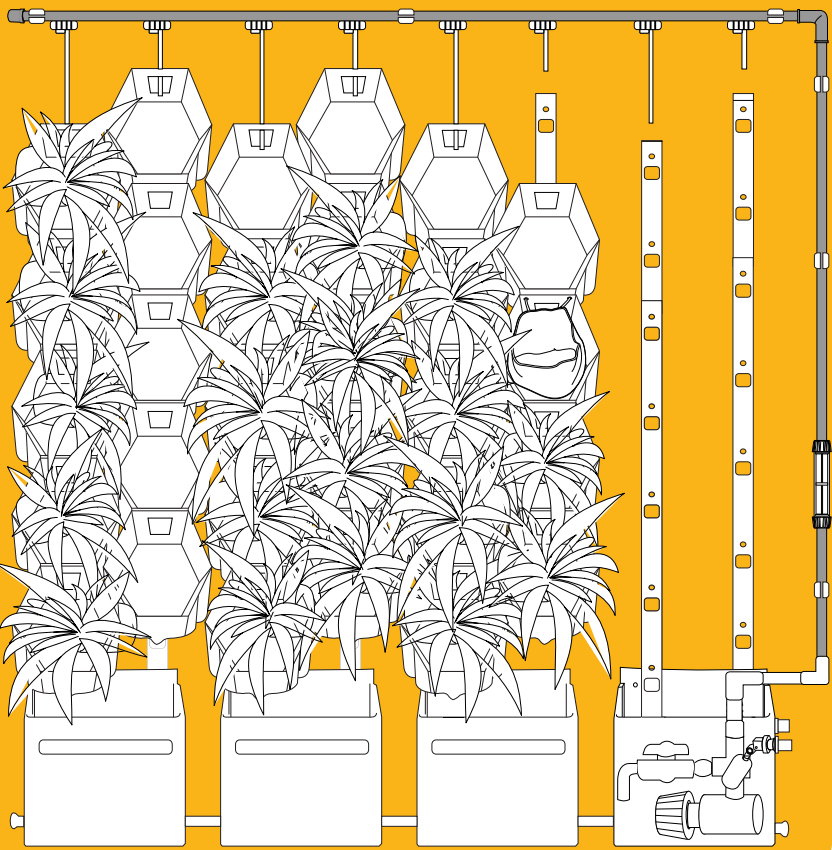


Process Comments

Place assembled pump into master tank.
Place irrigation pipe through notch provided in the master tank.



Step 10: Install Irrigation Pipe

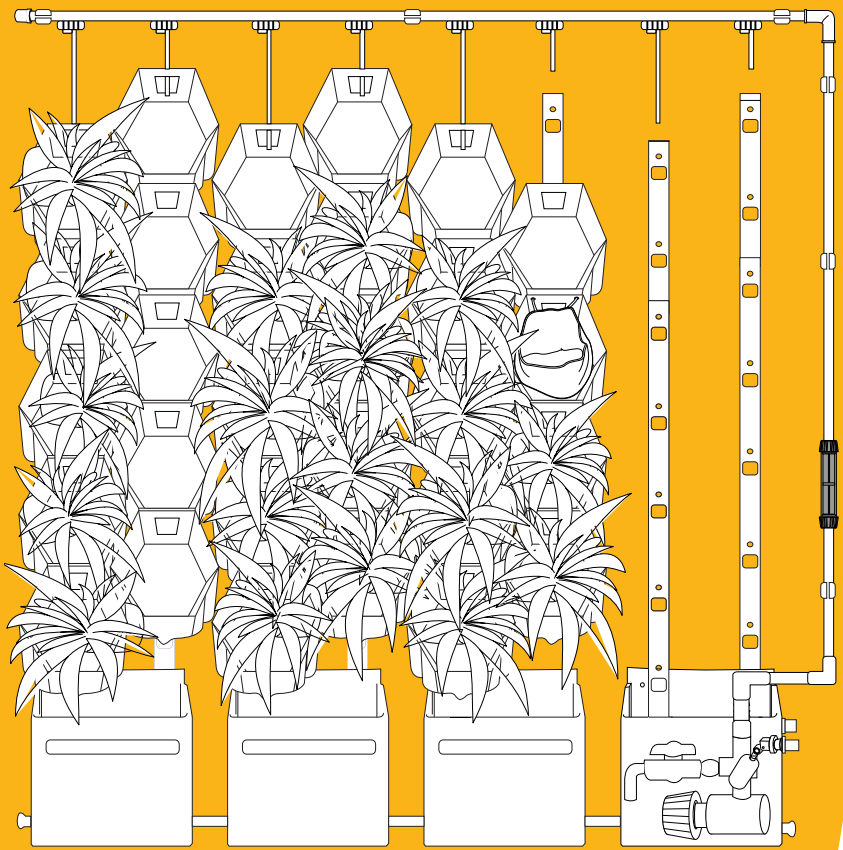


Process Comments

Install irrigation pipe using pipe clips to secure to the wall. Use the pipe connectors provided to join the pipe.

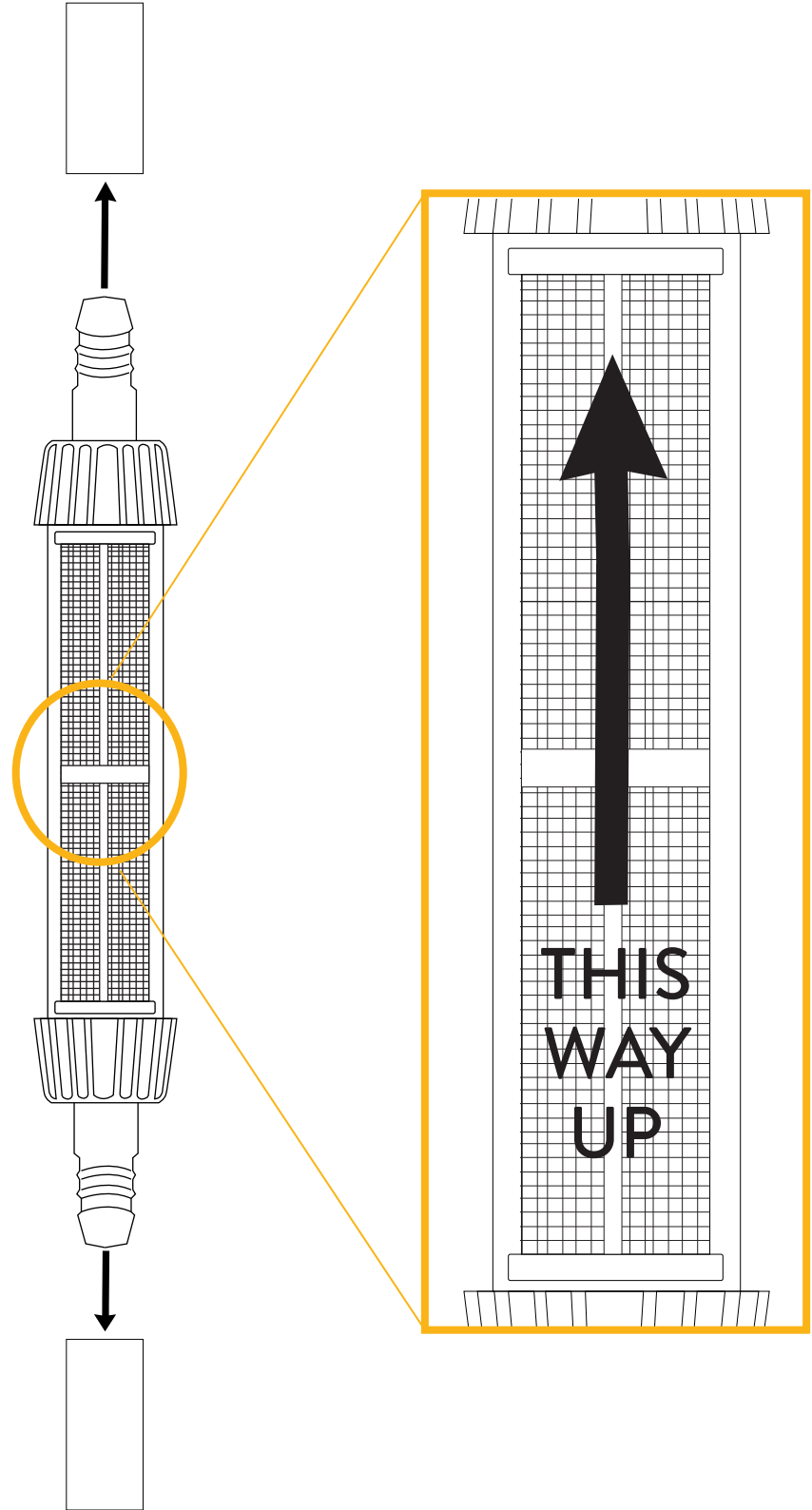
TIP! **X** **✓** **X** Do not install pipe clips directly above rails as they interfere with the drippers.

Step 11: Install Inline Filter

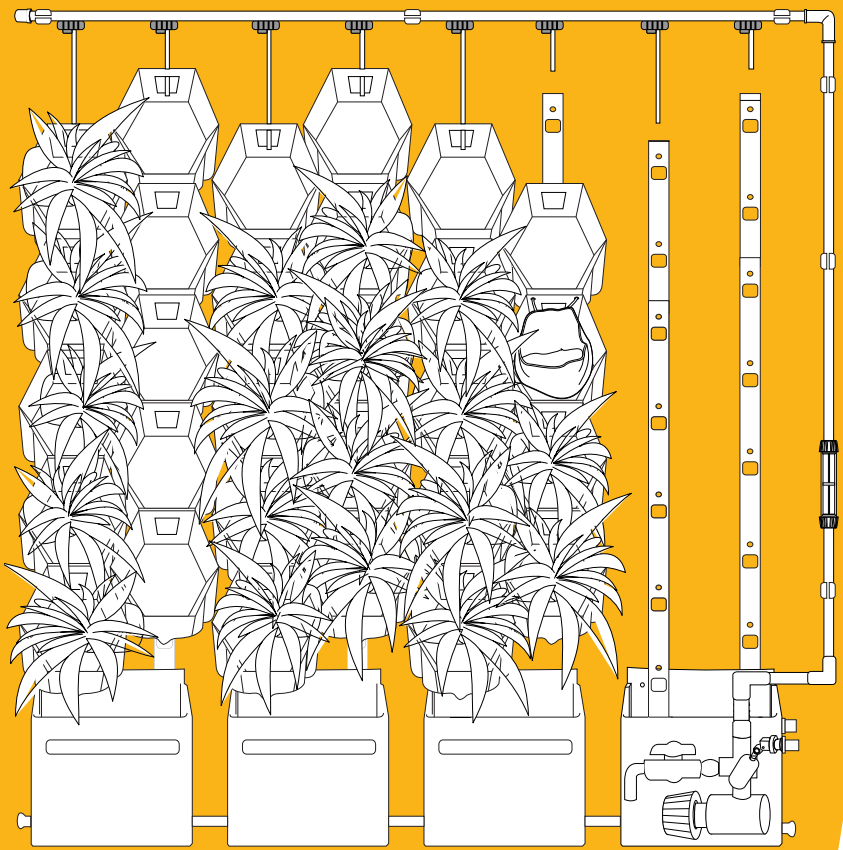


Process Comments

Cut vertical pipe and insert the inline filter with the arrow pointing up.

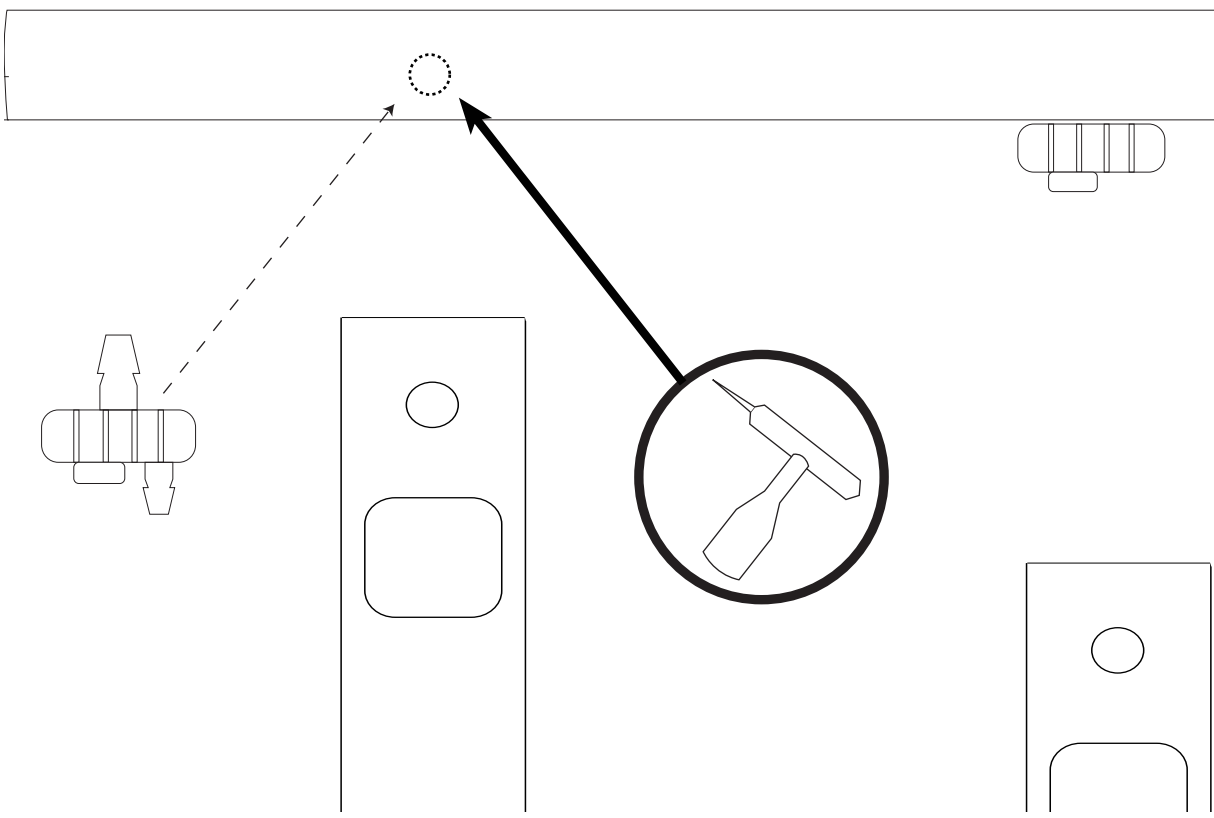


Step 12: Install Drippers



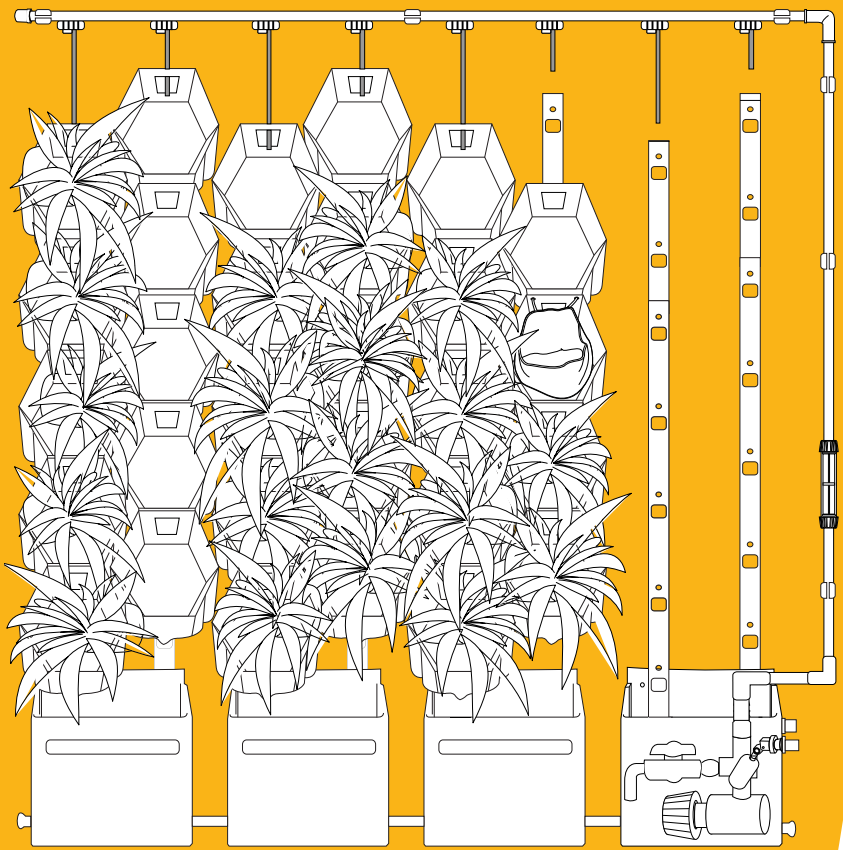
Process Comments

Punch hole in pipe above rail. Insert dripper and make sure dripper is at a 45° downward angle.



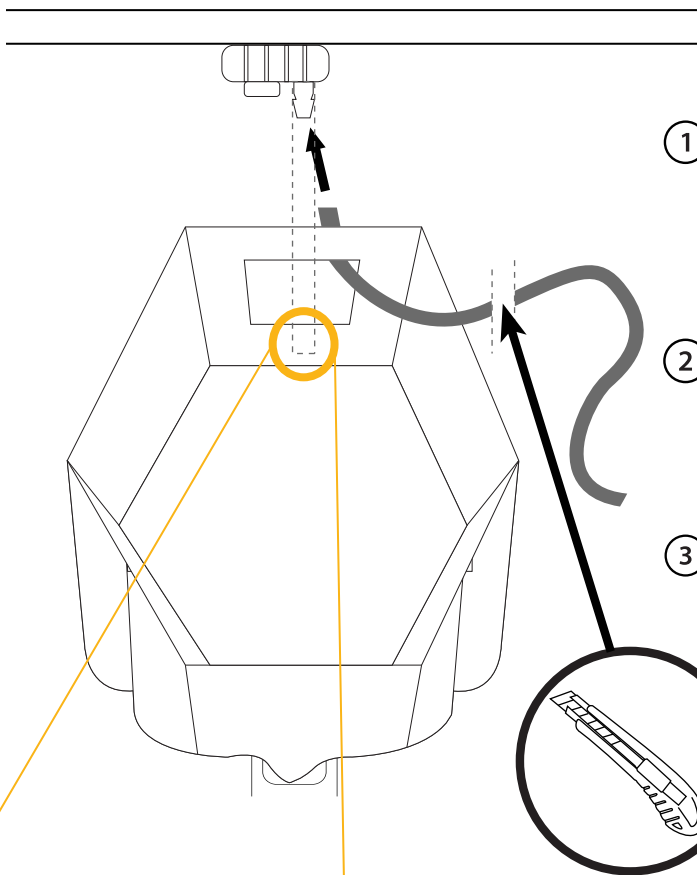
TIP!

Step 13: Extend Drippers

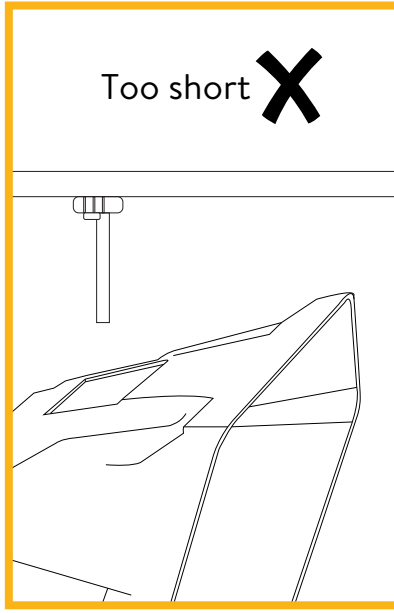
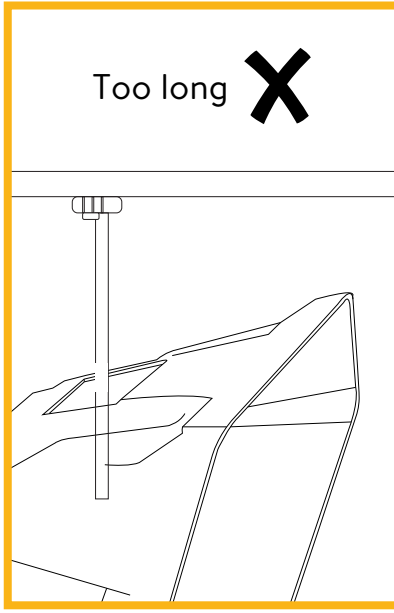
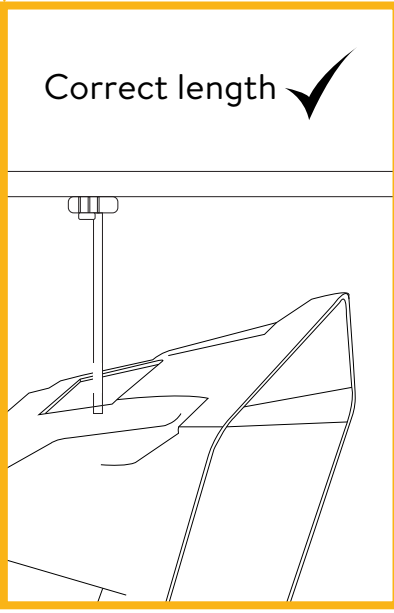


Process Comments

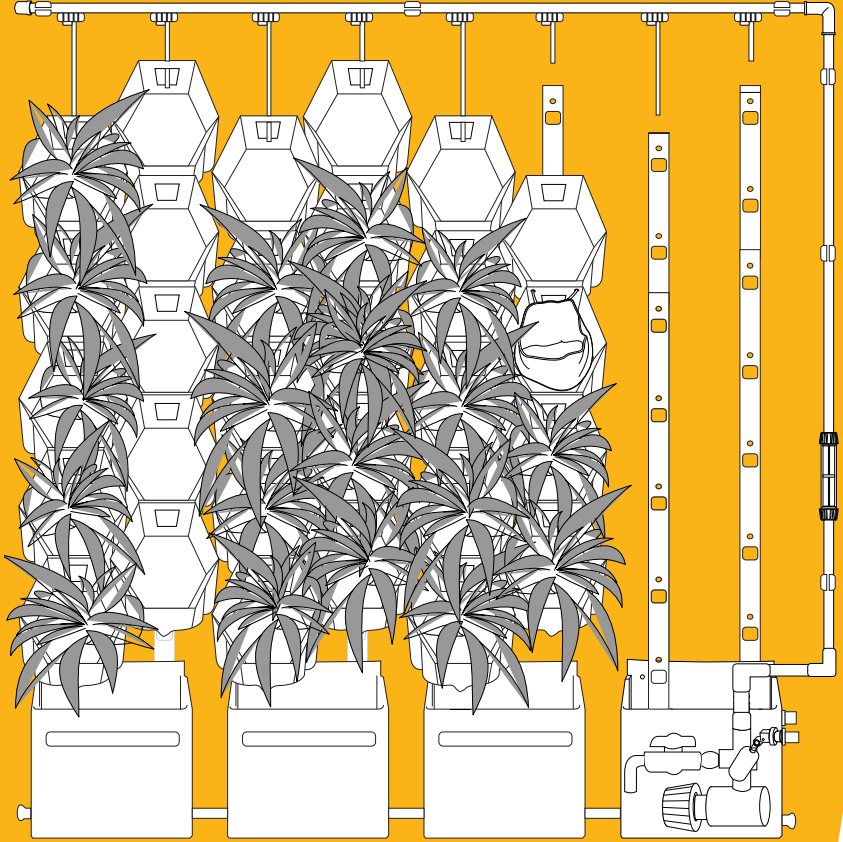
Extend dripper and insert into pot.



- 1 Feed dripper extension pipe through the pot opening. Press onto dripper nozzle.
- 2 Cut dripper extension pipe from inside the pot.
- 3 Ensure pipe is long enough to remain within the pot opening.

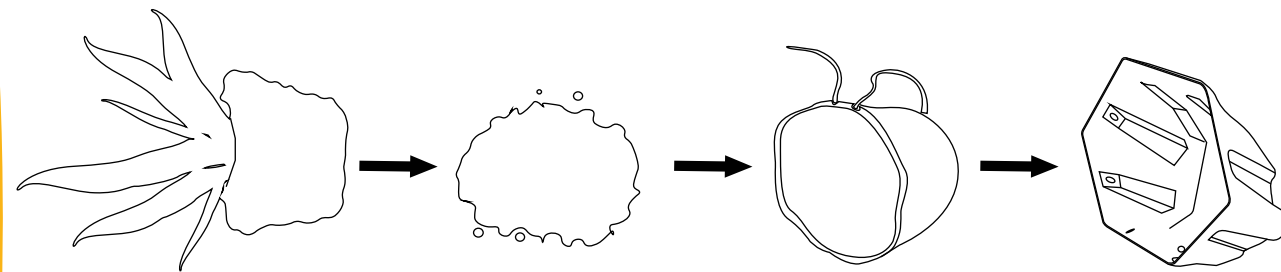


Step 14: Planting of Pots



Process Comments

Transplant from grow pot to the planter bag. Tie bag into the hex pot.



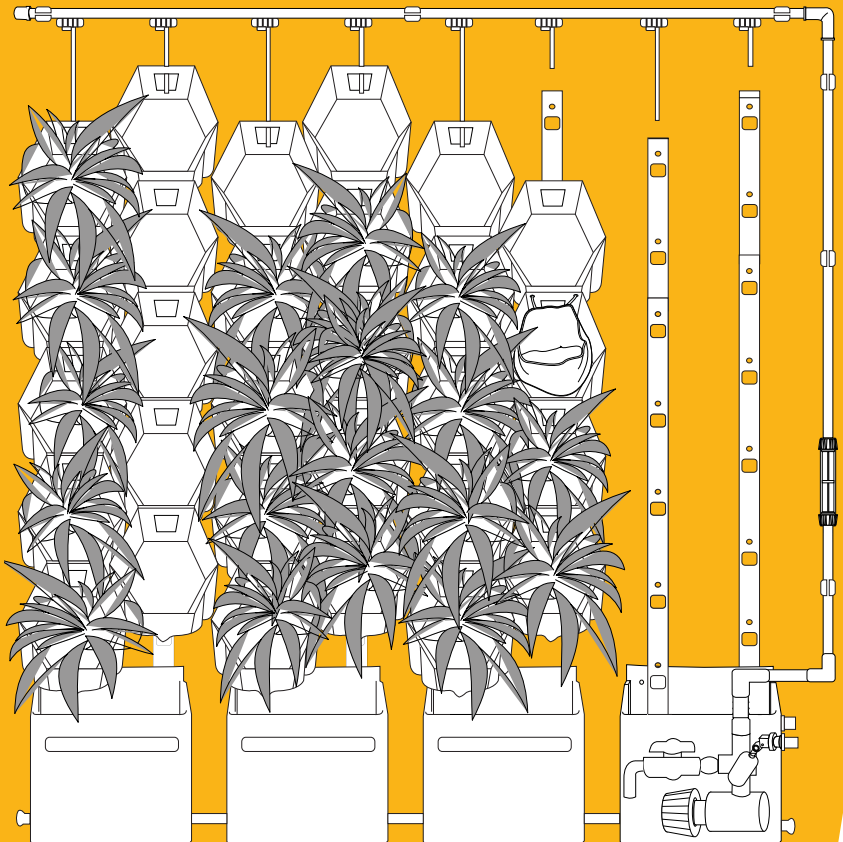
TIP! Feed loose ends of strings through holes in pot. Tie into a bow.

A line drawing showing the top of a hexagonal pot. A clear plastic bag is inserted into it. The strings of the bag are being tied into a bow at the top edge of the pot. The strings are shown as yellow.

TIP! Strings must feed back through holes in pot.

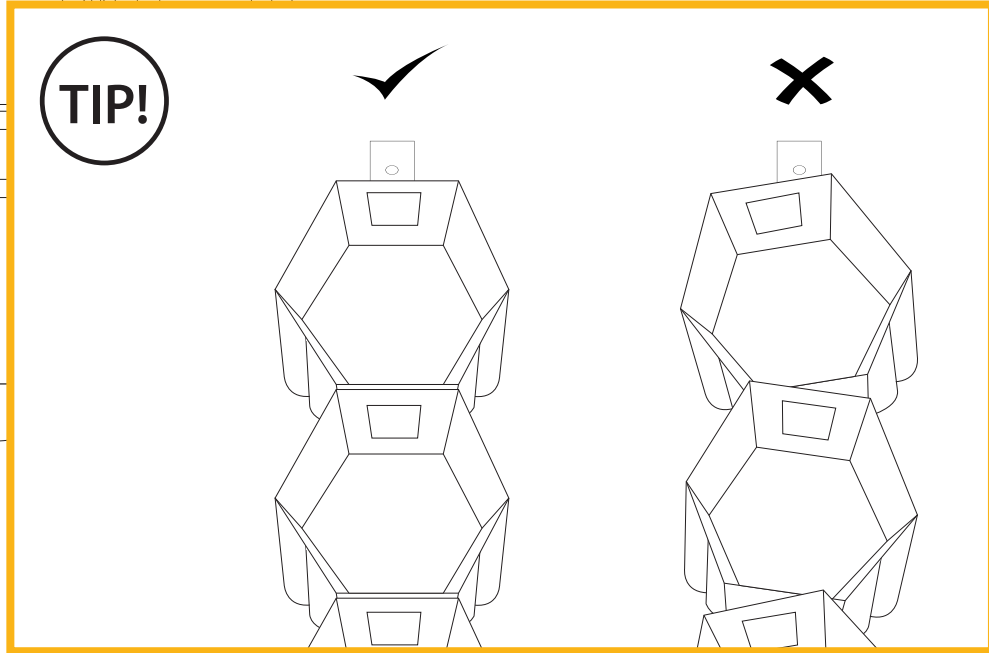
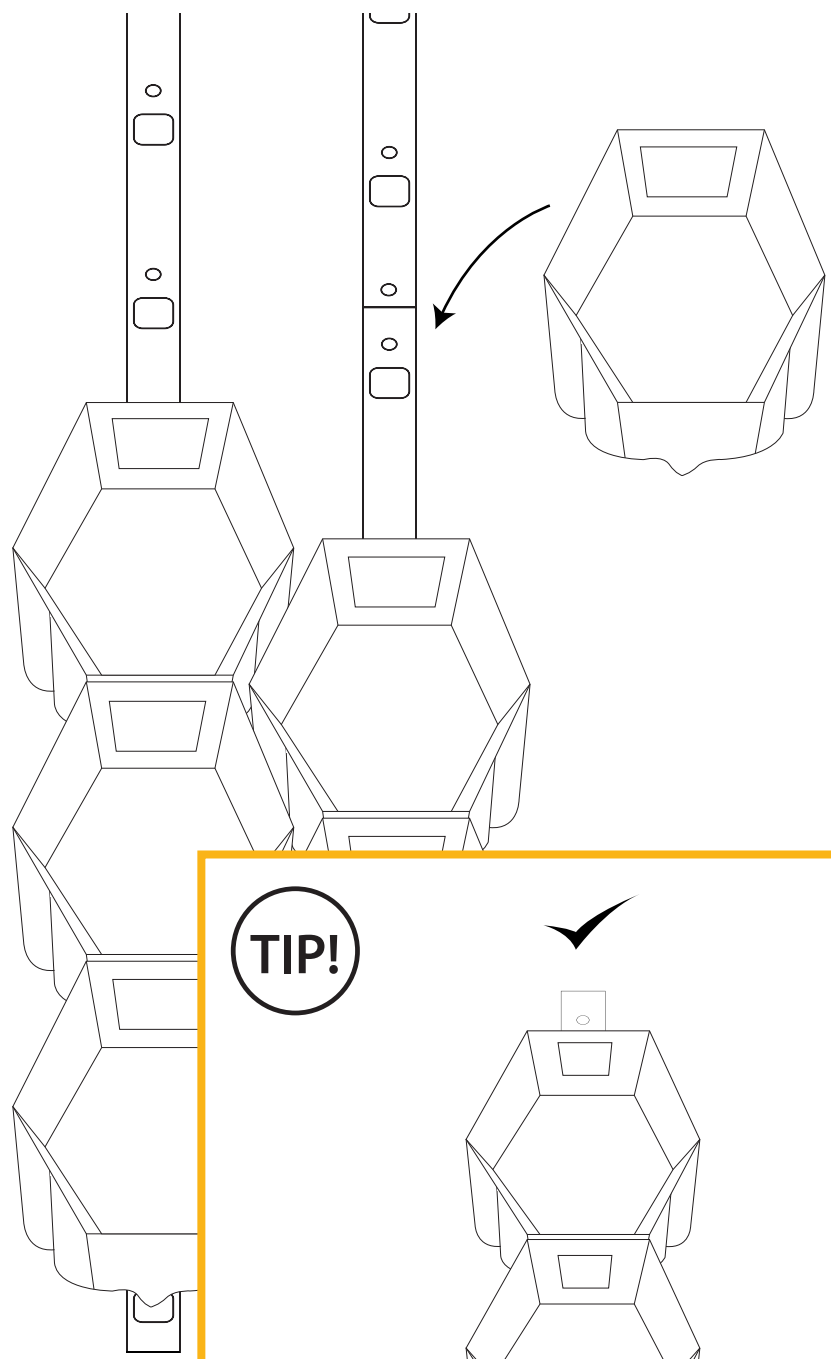
A line drawing showing the side of a hexagonal pot. A clear plastic bag is inserted into it. The strings of the bag are being fed back through the holes in the side of the pot. The strings are shown as yellow.

Step 15: Pot Installation

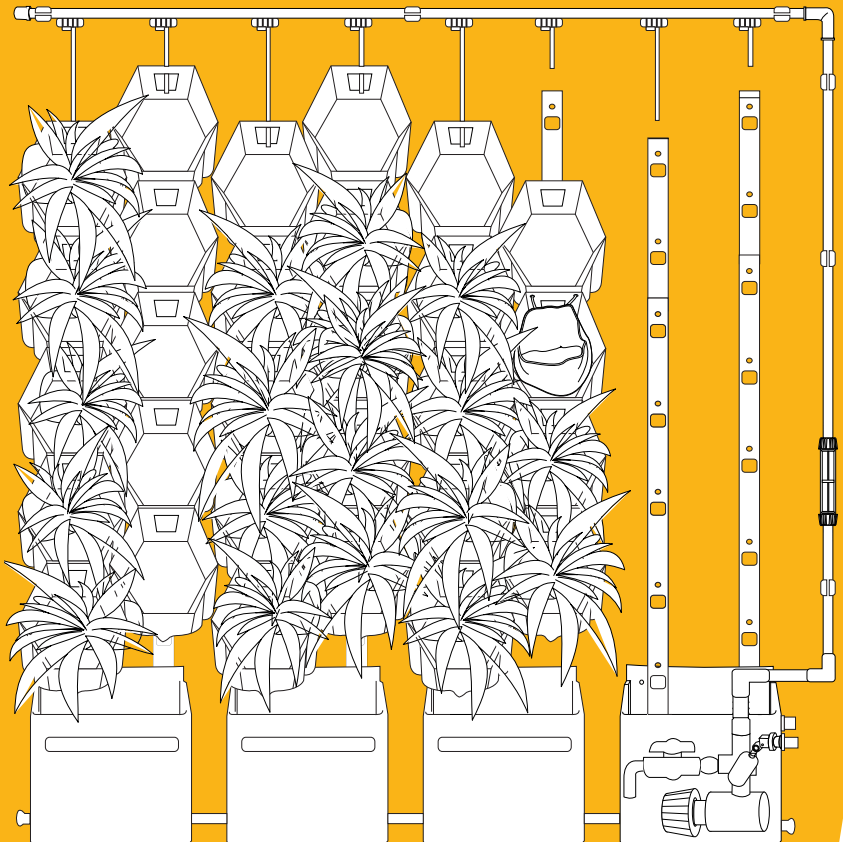


Process Comments

Clip pots onto rails and ensure proper alignment. It is easier to load pots from bottom up.



Step 16: Testing Irrigation System



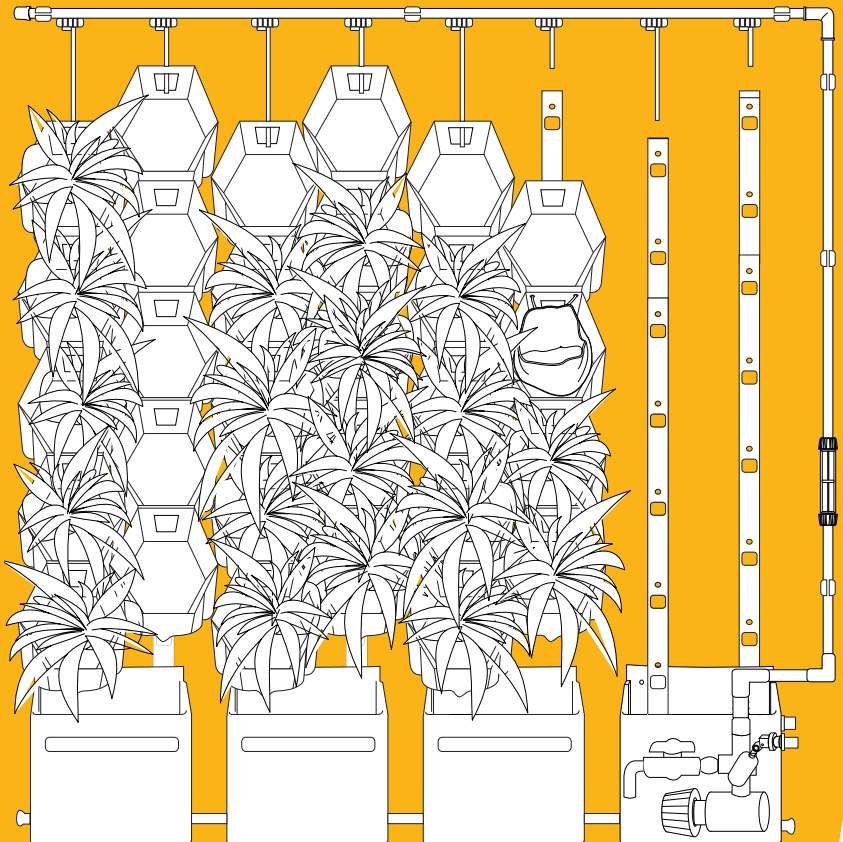
Process Comments

Check drippers are inserted correctly into pots. Test run the irrigation system for 1 -2 hours and observe for leaks.

Turn on pump and close "pressure release valve" until drippers all flowing.

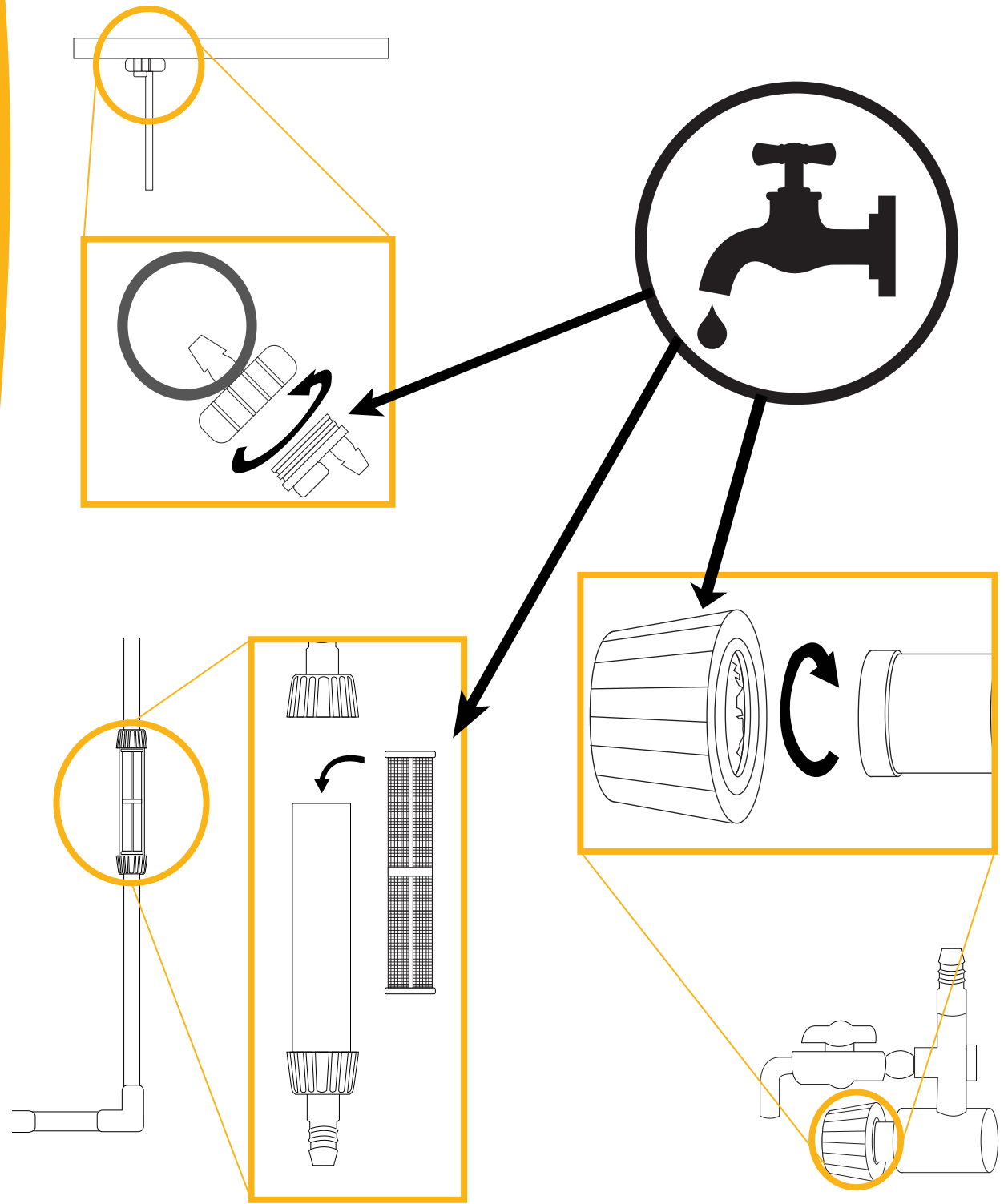
1-2 HOURS

Step 17: Routine Maintenance

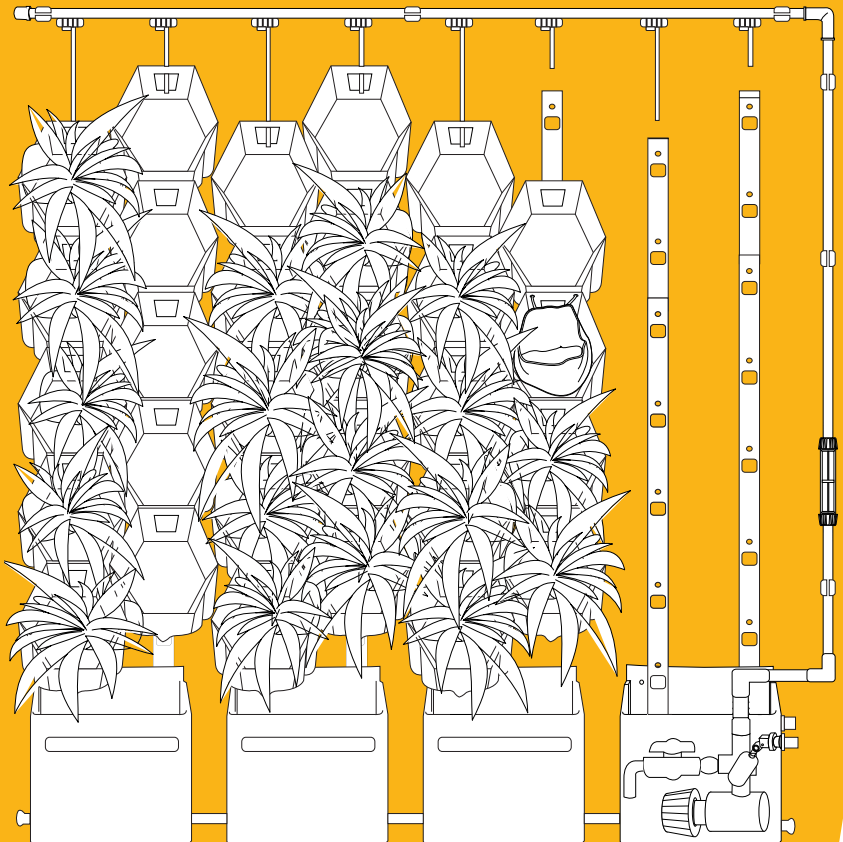


Process Comments:

Remove dripper, pump filter and inline filter as shown. Clean and re-attach.



Step 18: Tank Maintenance

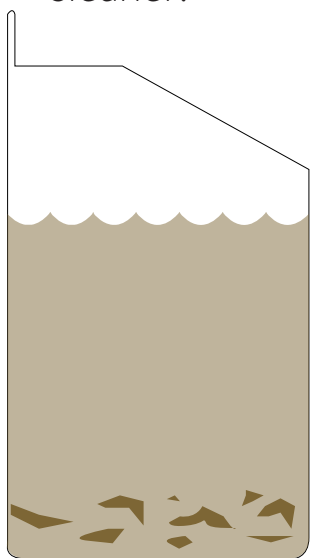


Process Comments:

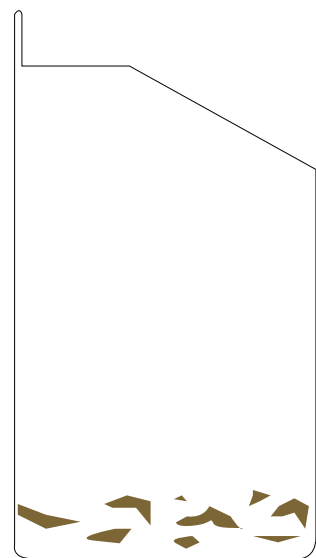
Drain the tanks and wipe down and clean.
Refill with fresh water.



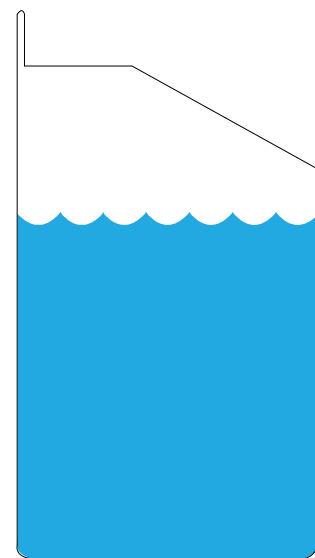
① Drain water using a wet vacuum cleaner.



② Clean out all dirt and debris.



③ Refill tanks.



VICINITY | Modular Vertical Garden



Landscape & Architectural Pots
Australian Distributor of Vicinity Greenwall

13 Pascal Rd, Seaford, Victoria 3198 Australia

Phone 03 9701 8699

info@kellockpotsandplanters.com.au

kellockpotsandplanters.com.au